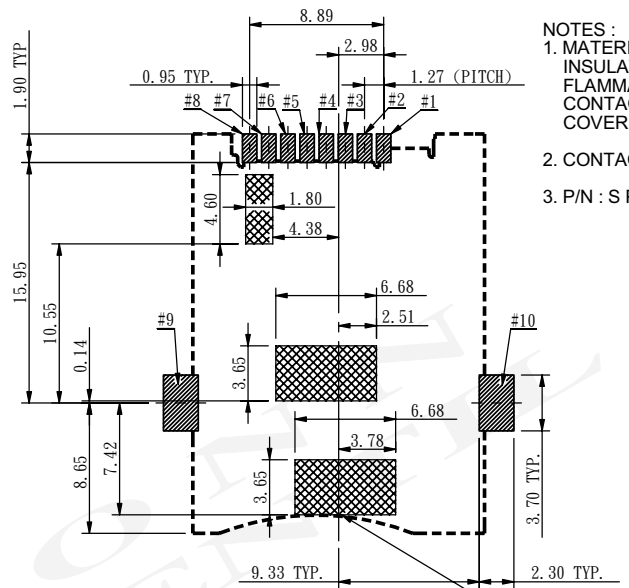
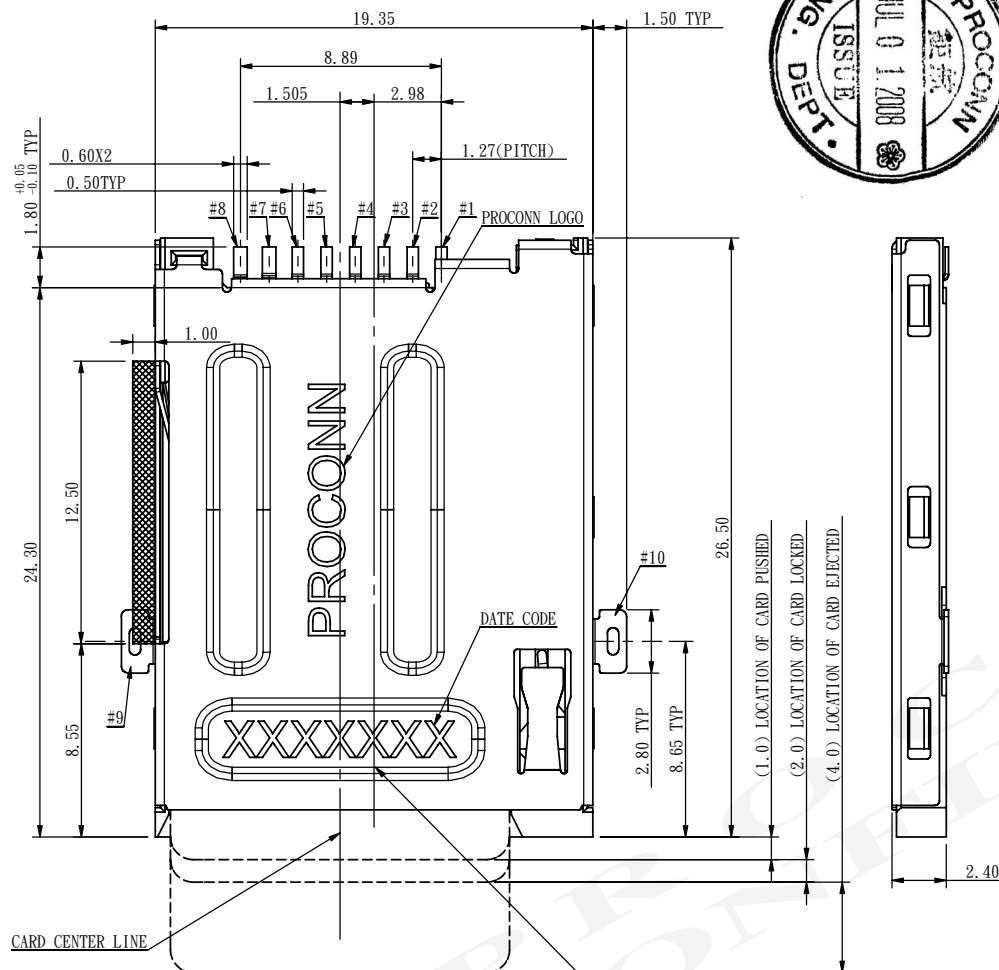




機密文件

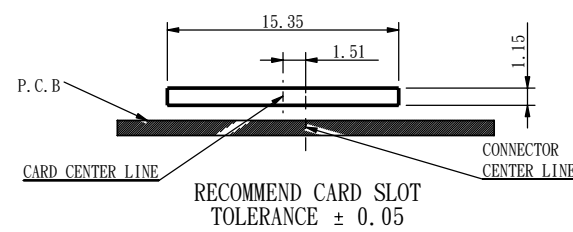
REV.	MODIFICATION	DRAWN	APPROVED
C	EN061608	JIMMY	TONY



- NOTES:
- MATERIAL: INSULATOR: HIGH TEMPERATURE THERMOPLASTIC
FLAMMABILITY RATING: UL94V-0 COLOR: BLACK
CONTACT: COPPER ALLOYS
COVER: STAINLESS STEEL
 - CONTACT AREA PLATING: GOLD OVER Ni
 - P/N: S P P N 06 - X 0 - 0 X 0 0
a b

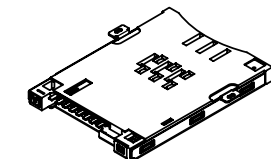
- a -- CONTACT UNLEAD PLATING:
A: GOLD FLASH
C: 10μ" GOLD
- b -- DATE CODE:
0: WITH DATE CODE & LOGO
1: W/O DATE CODE & LOGO
2: WITH DATE CODE W/O LOGO
3: W/O DATE CODE WITH LOGO

RECOMMEND P. C. B. LAYOUT
TOLERANCE ± 0.05

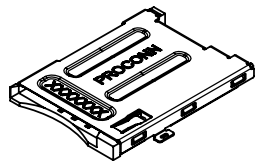
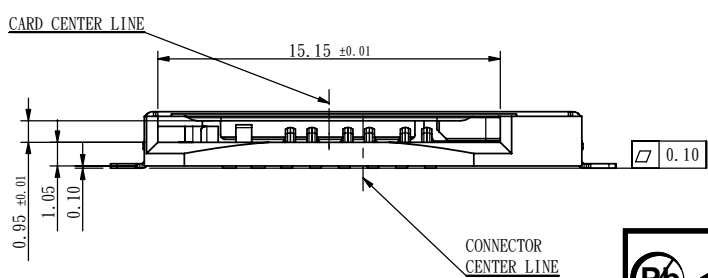


RECOMMEND CARD SLOT
TOLERANCE ± 0.05

- ▨ : SOLDER AREA
- ▩ : PATTERN PROHIBITED AREA



PIN NO.	NAME
#01	VCC
#02	GND
#03	RST
#04	VPP
#05	CLK
#06	I/O
#07	CARD DETECT Switch
#08	CARD DETECT Com.
#09	GND
#10	GND



GENERAL TOLERANCE		Proconn Technology Co., Ltd.	
X ± 0.40	X.° ± 5°		
.X ± 0.30	.X.° ± 2°	TITLE	
.XX ± 0.20	.XX.° ± 1°	SIM CARD CONNECTOR PUSH TYPE	
.XXX ± 0.10	.XXX.° ± 0.5°	PART NO.	
CUSTOMER DRAWING		SPPN06-X0-0X00	
APPROVAL	CHECKED	DWG. NO.	
		SPPN06-01-C	
DRAWN		SCALE	
		NONE	
UNIT		SHEET	
mm		1 / 2	
PROJ.		REV.	
		C	

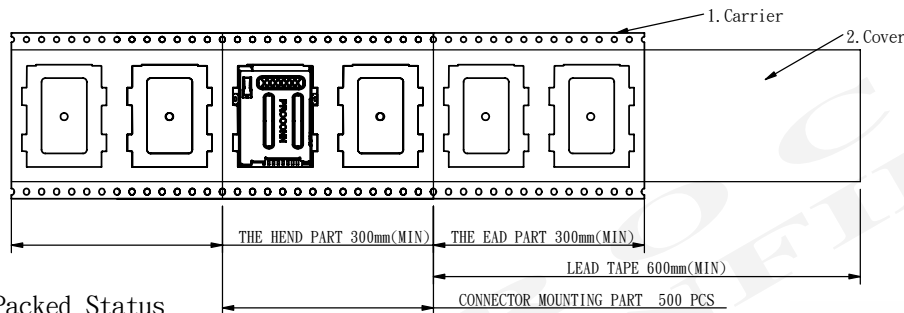
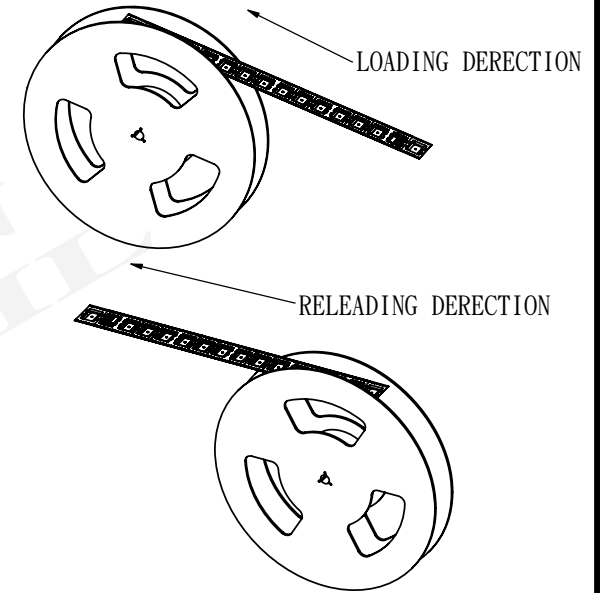
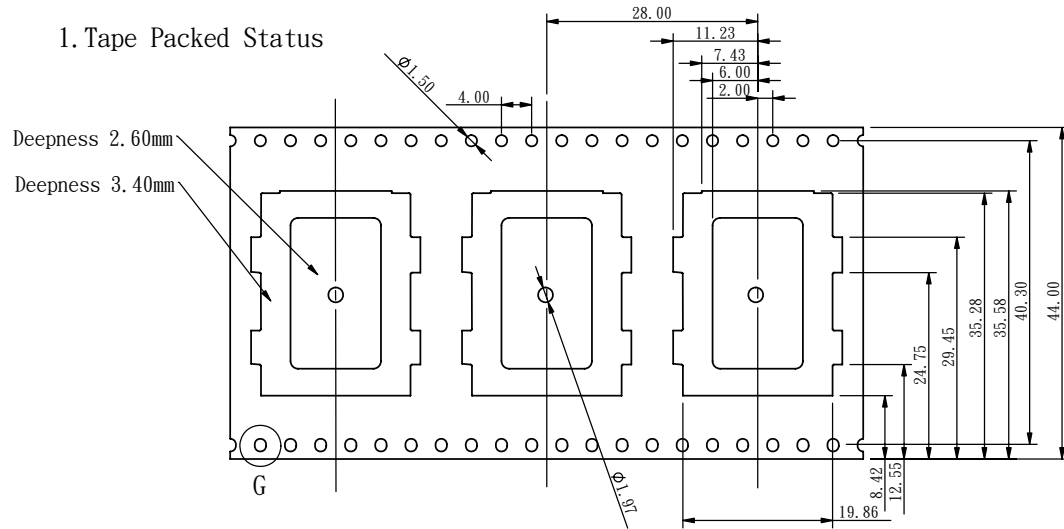


1. THIS PRODUCT DOESN'T CONTAIN ENVIRONMENTAL HAZARDOUS MATERIALS PER DIRECTIVE 2002/95/EC FOR RoHS.
2. ALL RIGHTS RESERVED, PRODUCTS ARE COVERED BY PATENTS AND/OR PATENTS PENDING.

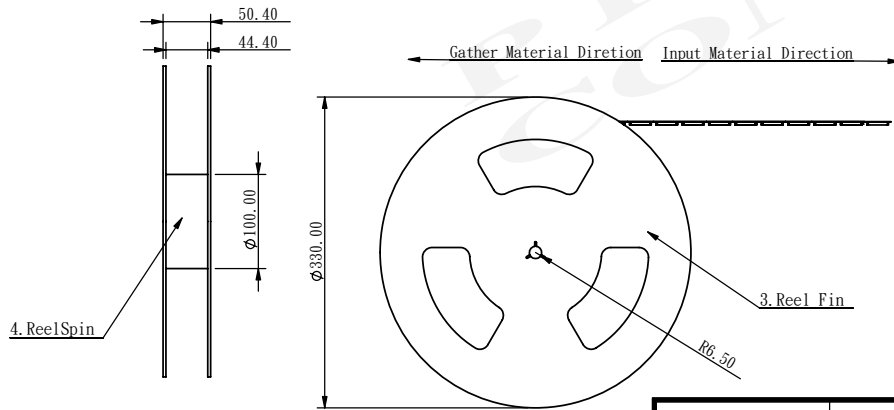
機密文件

REV.	MODIFICATION	DRAWN	APPROVED
C	EN061608	JIMMY	TONY

1. Tape Packed Status



2. Reel Packed Status



ITEM	NAME	PANT NO.	SPEC	REMARK
1	CARRIER	PACKS-02-R036	W=44mm	Material:PS. Color:Black
2	COVER	PACKS-30-0015	W=37.5mm	Material:PE. Color:Limpid
		PACKS-30-V144		
3	REEL Fin	PACKL-03-0010	$\phi=330$ mm	Material:PS. Color:Blue
4	REEL Spin	PACKL-03-0011	$\phi=100$ mm	Material:PS. Color:Blue

GENERAL TOLERANCE	
X \pm 0.40	X $^{\circ}$ \pm 5 $^{\circ}$
.X \pm 0.30	.X $^{\circ}$ \pm 2 $^{\circ}$
.XX \pm 0.20	.XX $^{\circ}$ \pm 1 $^{\circ}$
.XXX \pm 0.10	.XXX $^{\circ}$ \pm 0.5 $^{\circ}$

Proconn Technology Co., Ltd.			
TITLE SIM CARD CONNECTOR PUSH TYPE			
PART NO. SPPN06-X0-0X00		DWG NO. SPPN06-01-C	
CUSTOMER DRAWING		SCALE NONE	SHEET 2 / 2
APPROVAL 	CHECKED 	DRAWN 	UNIT mm
PROJ. 		REV. C	



1. THIS PRODUCT DOESN'T CONTAIN ENVIRONMENTAL HAZARDOUS MATERIALS PER DIRECTIVE 2002/95/EC FOR RoHS.
2. ALL RIGHTS RESERVED. PRODUCTS ARE COVERED BY PATENTS AND/OR PATENTS PENDING.