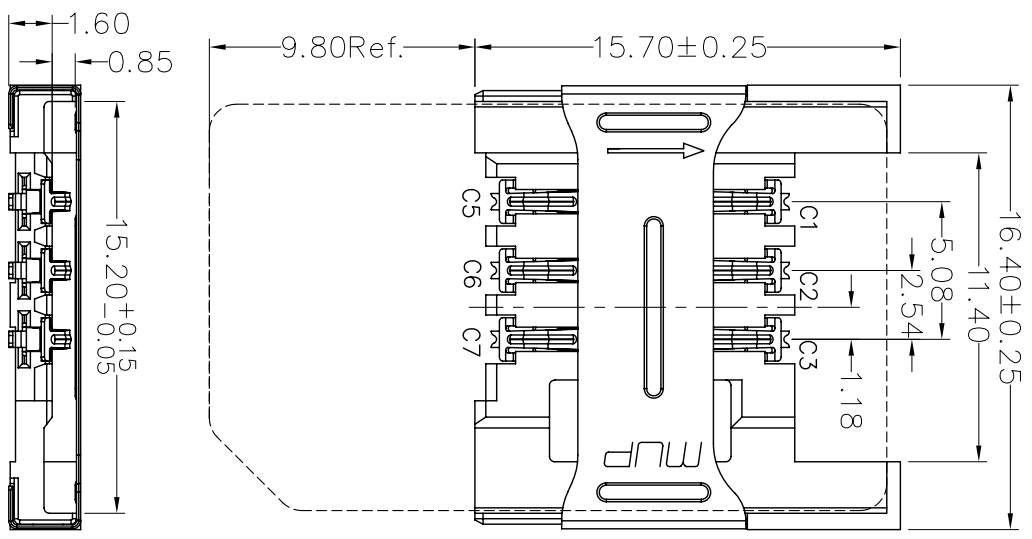
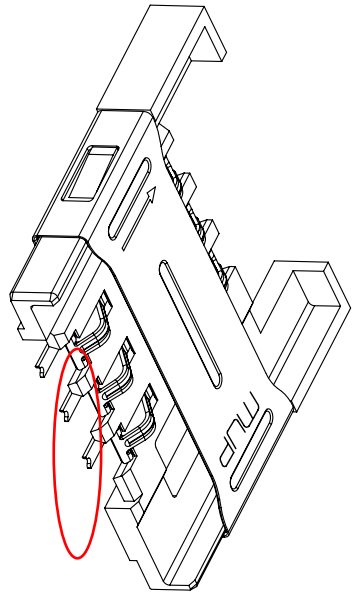
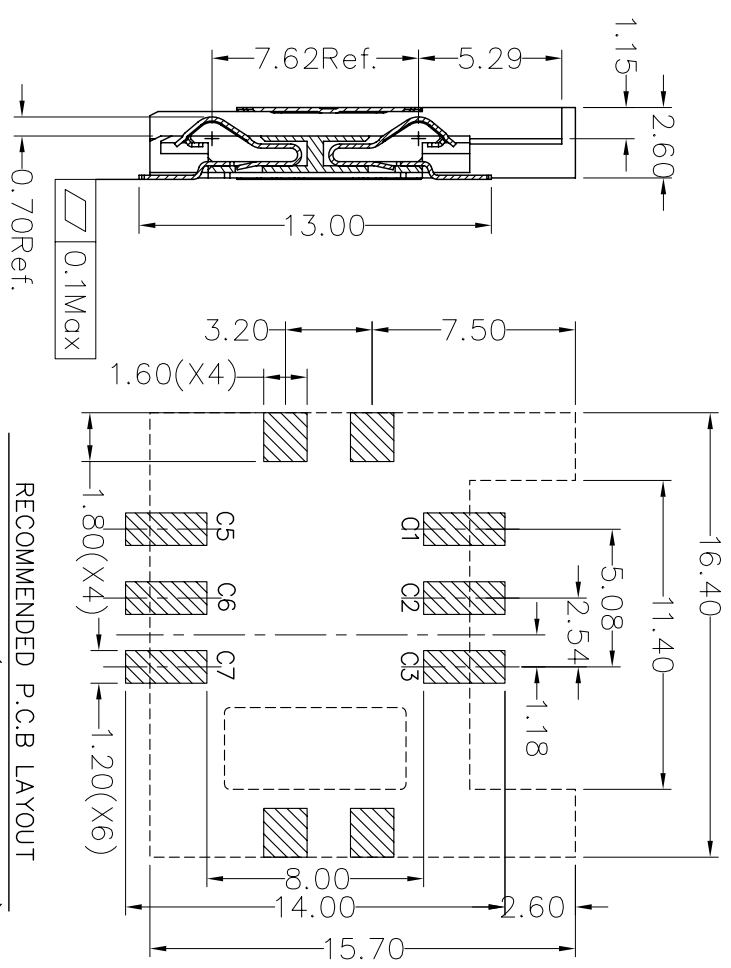


REV.	DESCRIPTION OF REVISIONS	APPR.	DRAW.	RELEASE	DATE
X1					
X2					



RECOMMENDED P.C.B. LAYOUT
COMPONENT SIDE(TOLERANCE ±0.05)

TECHNICAL CHARACTERISTICS

1.General Characteristics

- Dimensions: 15.70LX16.40WX2.60H mm
- Weight: Approx 0.52±0.2g
- Durability: 5,000 cycles min.

2.Electrical Characteristics

- Contact resistance: 50mΩ typical, 100mΩ max
- Insulation resistance: >1000MΩ/500V DC

3.Solderability

- Vaporphase: 215°C, 30sec. Max
- IR reflow: 250°C, 5sec. Max
- Manual soldering: 370°C, 3sec. Max

4.Environmental Characteristics

- Operating temperature: -40°C~+85°C
- Operating humidity: 10%~+95%RH

ITEM	PART NAME	Q'TY	MATERIAL	FINISH
1	HOUSING	1	Hi-temp Thermoplastic	Black UL94V-0
2	DATA CONTACT	6	Copper Alloy	Contact area: Gold plated
3	SHELL	1	Stainless Steel	SMT area: Gold plated

MUP MUP INDUSTRIAL CO.,LTD.

SIM Card Connector

MUP-C742

H2.60 (longer tail)

NAME: SIM Card Connector		DRAWN: Zoey Dec.07.2009		DWG NO.:	
MODEL NO: MUP-C742		CHECKED: Sean Dec.07.2009		DWG-MUP-C742-005	
TYPE :		APPROVAL: lun Dec.07.2009		SHEET: 1/1	
CUSTOMER DRAWING		SCALE: 1:1		REVISION: X1	

