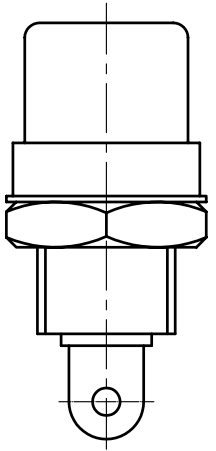
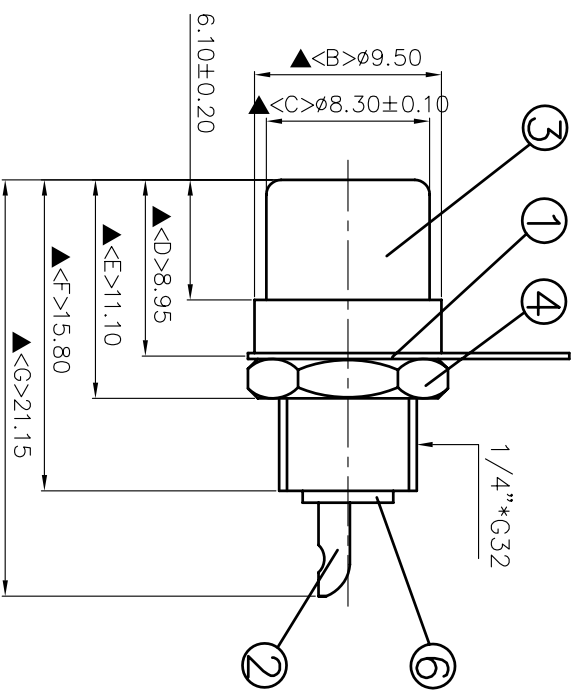
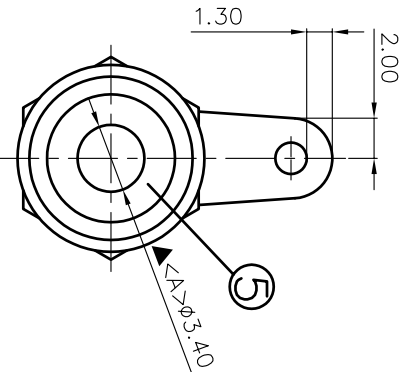


SCHMATIC	
MODEL NO	U



6.	Bushing	POM	1	Black Color
5.	Insulator	POM	1	Black Color
4.	Nut	Iron	1	Nickel Plated
3.	Body Shell	Brass	1	Nickel Plated
2.	Terminal	0.25T Brass	1	Nickel Plated
1.	Earth Terminal	0.3T Brass	1	Nickel Plated
NO.	Description	Material	Q'TY	Finish

S.C. PRECISION INDUSTRIAL CO., LTD.

DATE	DWN	CHKD	APVD	MANAGER
06.21.2010				

PRT NAME: PIN JACK PRT NUMBER: SCP607UNN100000G VERSION: 9.0
 TOLERANCE: ±0.3mm UNLESS OTHERWISE SPECIFIED UNIT: mm SCALE: 1/1

SPECIFICATIONS:
 Contact Resistance : 30mΩ max
 Insulation Resistance : 100MΩ min.at DC500V
 Dielectric Withstand Voltage: AC 500V for one minute
 Remark: ? : The Most Important Dimension

RoHS Compliant

For Reference 僅供參考