



DATA SHEET

Receiver Module : RWS-374-5(418MHz)

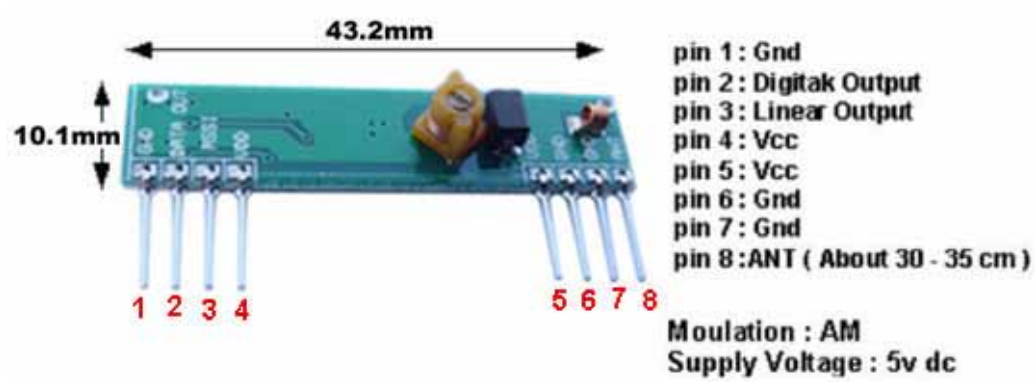
- . Frequency Range:418MHz
- . Modulate Mode: ASK
- . Circuit Shape: LC
- . Data Rate: 4800bps
- . Sensitivity: -106 dB
- . Channel Spacing: 1MHz
- . Supply Voltage: 5V
- . High Sensitivity Passive Design
- . Simple To Apply with Low External Count

DC Characteristics:

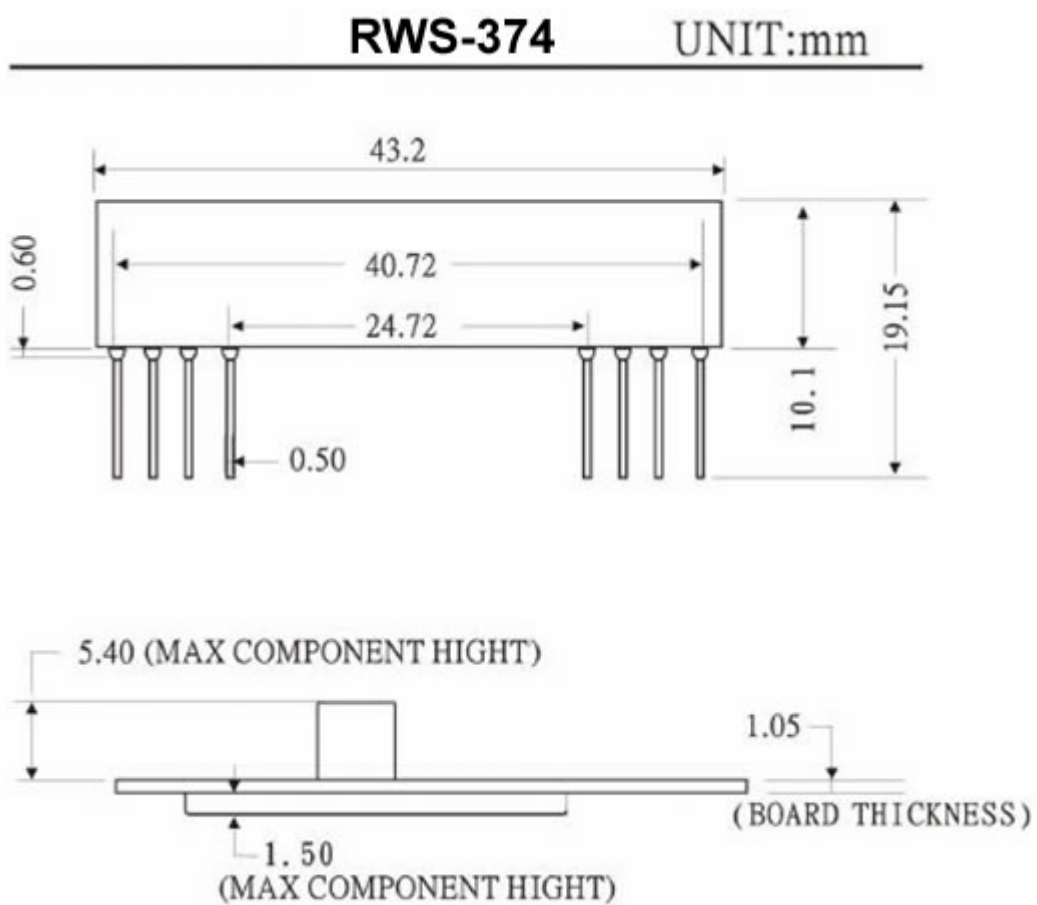
Symbol	Parameter	Conditions	Min.	Typ.	Max.	Unit
Vcc	Operating Supply Voltage		4.9	5	5.1	
I Tot	Operating Supply Voltage			4.5		
V Data	Data Out	1 Data = +200 uA (Low)	Vcc -0.5	Vcc		V
		1 Data = -10 uA (Low)			0.3	V

Electrical Characteristics :

Characteristics	Sym.	Min.	Typ.	Max.	Unit
Operating Radio Frequency	FC	417.8	418	418.2	MHz
Sensitivity	Pref.			-106	dBm
Channel Width		-500		+ 500	KHz
Noise Equivalent BW	NEB		5	4	
Baseboard Data Rate				3	KB/S
Receiver Turn On Time				3	ms



示範電路圖：



接收天線 (長度為 ● 公分)

