



Transmitter Module : TWS-BS3 (433.92 MHz)

<ul style="list-style-type: none"> *Frequency Range: 433.92 MHz *Modulate Mode: ASK *Circuit Shape: SAW *Data Rate: 8kbps *Supply Voltage: 3~ 12 V *Power Supply and All Input / Output Pins: -0.3 to +12.0 V *Non-Operating Case Temperature: -20 to +85 ℃ *Soldering Temperature (10 Seconds) : 230 ℃ (10 Seconds) 	
--	--

Absolute Maximum Ratings

Rating	Value	Unit
Power Supply and All Input/Output Pins	-0.3 to +12.0	V
Non-Operating Case Temperature	-20 to +85	℃
Soldering Temperature(10 seconds)	230	℃

Electrical Characteristics, T=25℃ , Vcc=3.6v, Freq=433.92MHz

Characteristic	Sym	Min.	Typ.	Max.	Unit
Operating Frequency (200KHz)	Vcc		433.92		MHz
Data Rate	ASK			8K	Kbps
Transmitter Performance(OOK@2.4kbps)					
Peak Input Current,12 Vdc Supply	ITP			45	mA
Peak Output Power	PO		10		mW
Tum On/ Tum Off Time	T ON/T OFF			1	US
Power Supply Voltage Range	Vcc	3		12	VDC
Operating Ambient Temperature	TA	-20		+85	℃
Tx Antenna Out (3V) +2.4dB	Vcc				mA

Application Note:

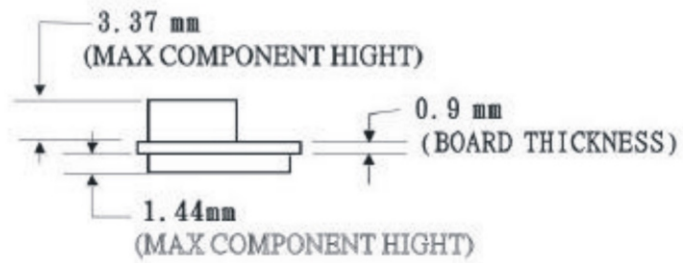
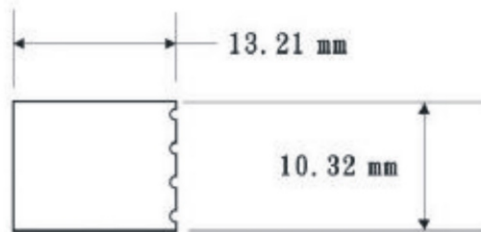


pin 1 : GND
pin 2 : Data in
pin 3 : VCC
pin 4 : ANT

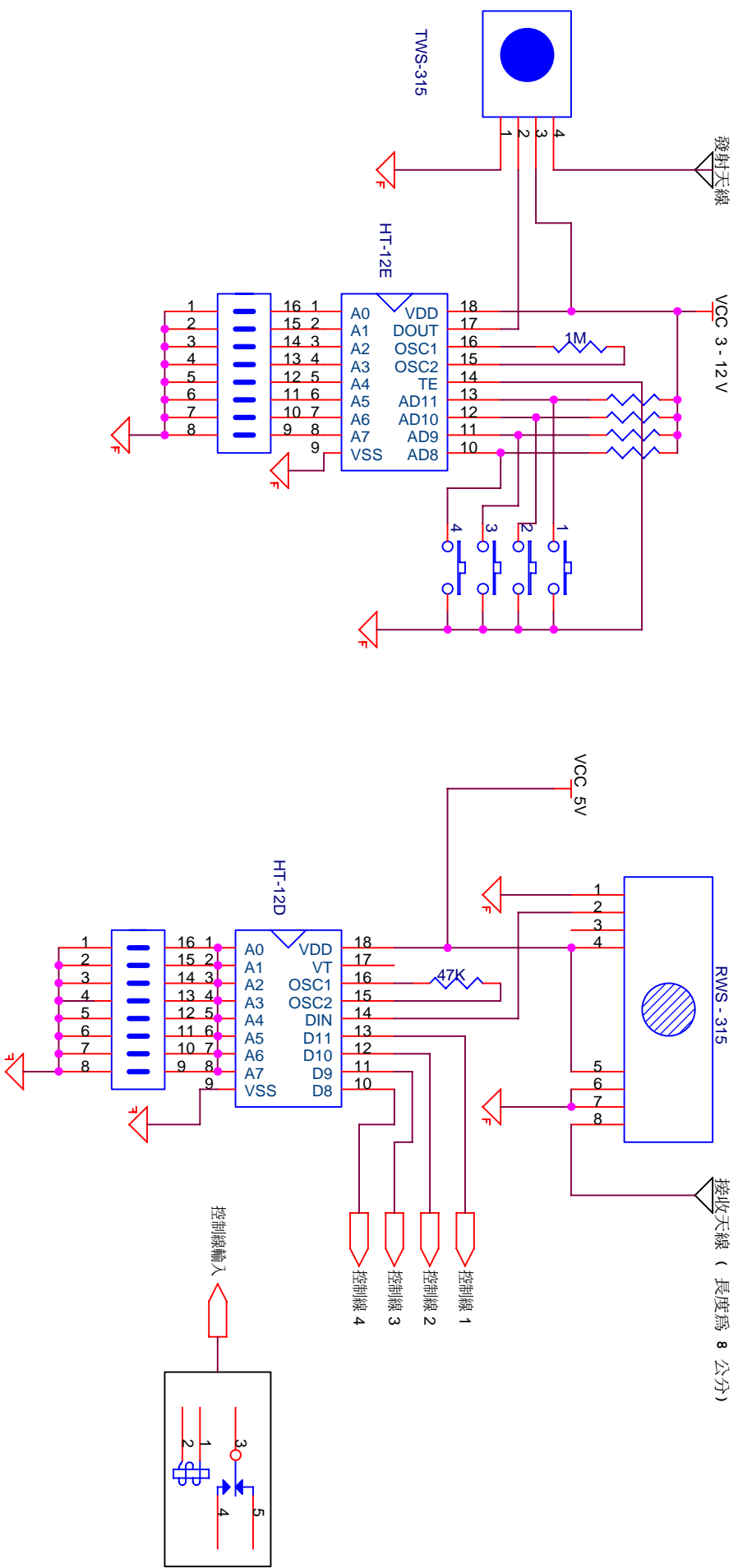
Application Note:

TWS-BS

UNIT:mm



示範電路圖



Title		<Title>
Size		Document Number
Date:		<Doc>
Rev		
Sheet		1 of 1
RevCodes		