



## Transmitter Module : TWS-HS-2(433.92 MHZ)

<p>*Frequency Range: 433.92 MHZ          *Modulate Mode: ASK          *Circuit Shape: SAW          *Data Rate: 8kbps          *Supply Voltage: 5V          *Power Supply and All Input / Output Pins: -0.3 to 5.5V          *Non-Operating Case Temperature: -20 to +85 ℃          *Soldering Temperature ( 10 Seconds ) : 230 ℃ ( 10 Seconds )</p>	
---	--

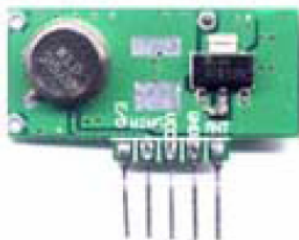
### Absolute Maximum Ratings

Rating	Value	Unit
Power Supply and All Input/Output Pins	5.5V	V
Non-Operating Case Temperature	-20 to +85	℃
Soldering Temperature(10 seconds)	230	℃

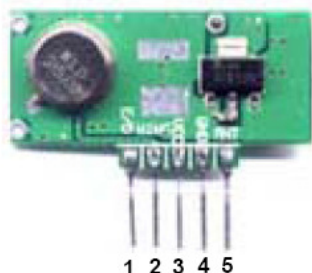
### Electrical Characteristics, T=25℃ , Vcc=5v, Freq=433.92MHZ

Characteristic	Sym	Min.	Typ.	Max.	Unit
Operating Frequency (200KHZ)	Freq		433.92	MHZ	
Data Rate	ASK			8	Kbps
Transmitter Performance(OOK@2.4kbps)					
Peak Input Current	ITP			170	mA
Peak Output Power	PO		500		mW
Turn On/ Turn Off Time	T ON/T OFF			1	US
Power Supply Voltage Range	Vcc	4.5	5	5.5	VDC
Operating Ambient Temperature	TA	-20		+85	℃
Tx Antenna Out	dB	-1.7		17	dB

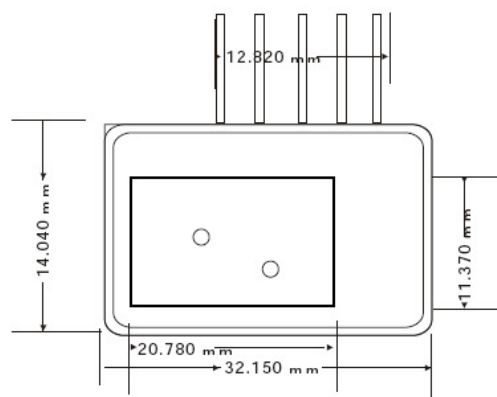
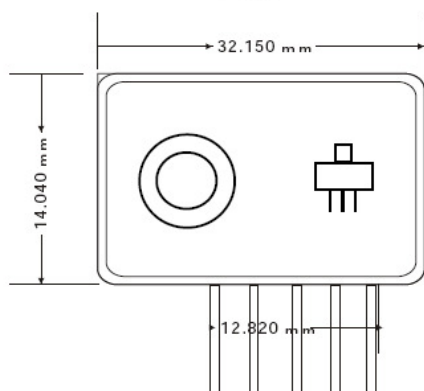
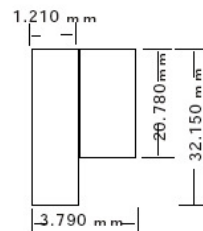
### Application Note:



## TWS-HS-2



- Pin 1 : E/D
- Pin 2 : DATA
- Pin 3 : VCC
- Pin 4 : GND
- Pin 5 : ANT



[HTTP://WWW.WENSHING.COM.TW](http://www.wenshing.com.tw)

# TWS-HS DEMO

