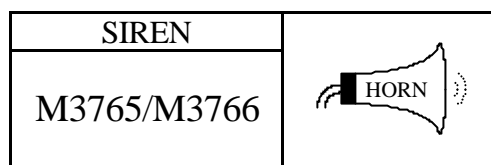




HORN/SIREN  
WITH SOFT CHIRP  
6 ALARM SOUNDS

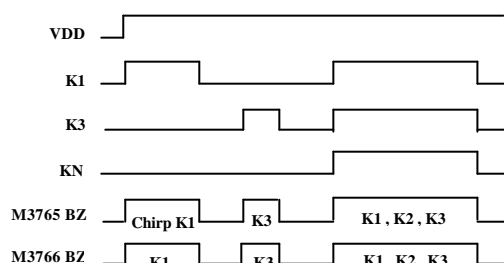
警報喇叭專用  
附唧聲  
6 種警報聲 IC



**FEATURES 功能敘述**

- K1 to K6 cascade.
- Level-hold operation.
- LED flash output.
- Soft chirp : 200ms

P/N	REMARK
M3765	6 Sounds with soft chirp
M3766	6 Sounds



**APPLICATION 產品應用**

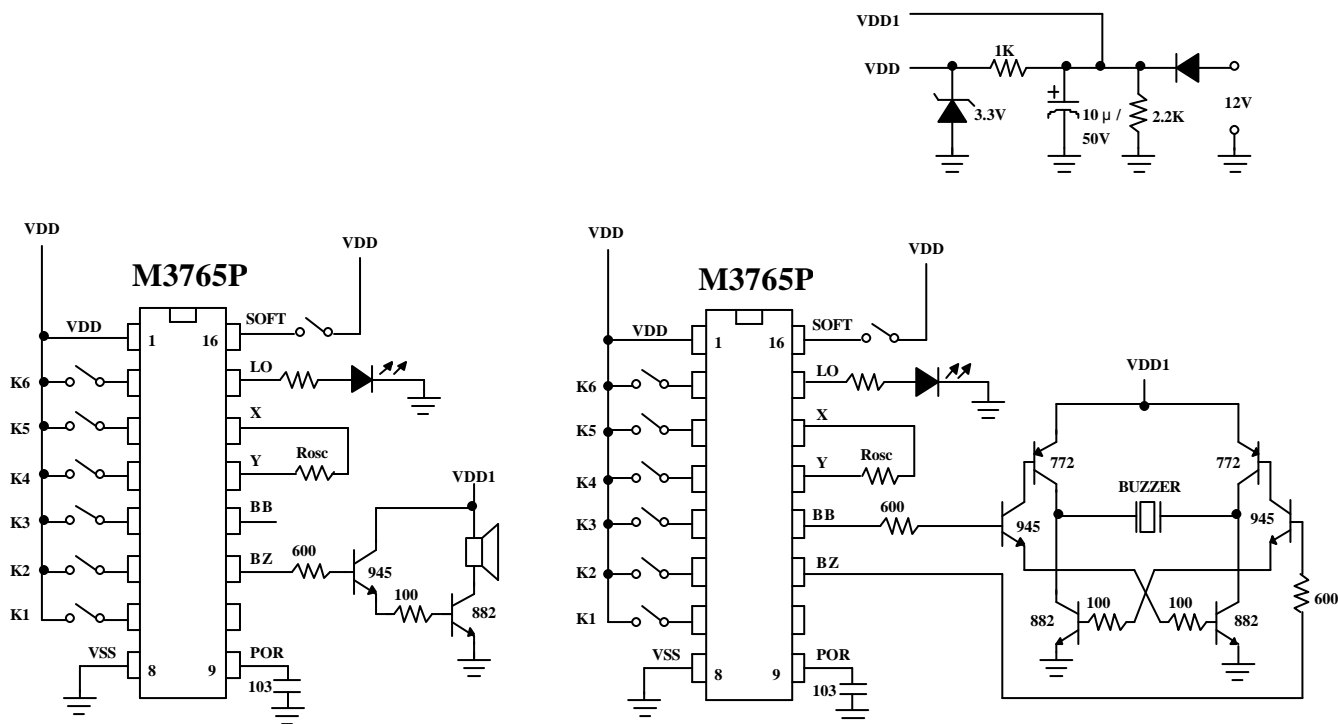
Alarm system, Horn etc..

**ELECTRICAL CHARACTERISTICS 電氣規格**

( @  $V_{DD}=3.5V$  unless otherwise specified )

Characteristics	Sym.	Min.	Typ.	Max.	Unit	REMARKS
工作電壓 Operating Voltage	$V_{DD}$		3.5	4.9	V	
工作電流 Operating Current	$I_{OP}$		0.1	0.5	mA	No load
推動電流 BZ Driving Current	$I_O$	1			mA	@ $V_{DS}=1V$
推動電流 LO Driving Current	$I_{OL}$	6			mA	@ $V_{DS}=1.2V$
振盪頻率 Oscillator Frequency	$F_{OSC}$		128		KHz	External $\pm 30\%$ , $R_{osc}=120K$
工作溫度 Operating Temperature	Temp.	0	25	60		

**APPLICATION DIAGRAM 參考電路圖**




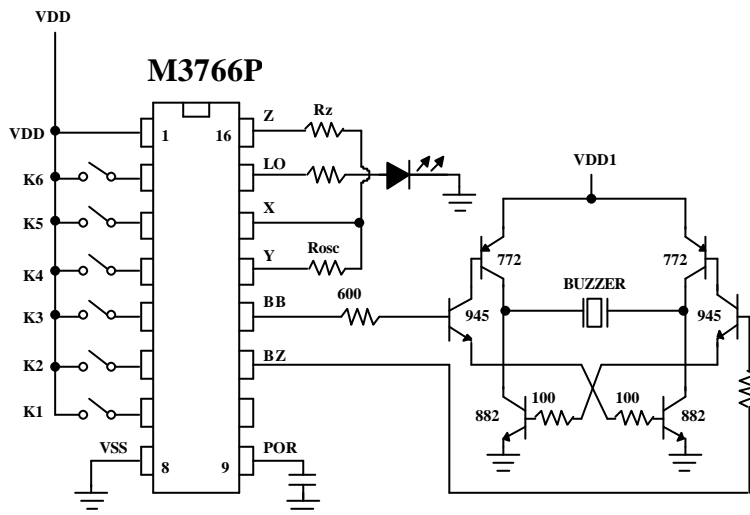
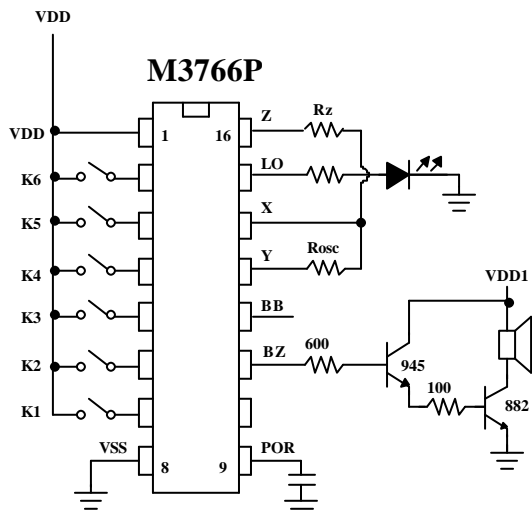
\* All specs and applications shown above subject to change without prior notice.  
( 以上電路及規格僅供參考,本公司得逕行修正 )



HORN/SIREN  
WITH SOFT CHIRP  
6 ALARM SOUNDS

警報喇叭專用  
附唧聲  
6 種警報聲 IC

SIREN	
M3765/M3766	



\* All specs and applications shown above subject to change without prior notice.  
( 以上電路及規格僅供參考,本公司得逕行修正 )