

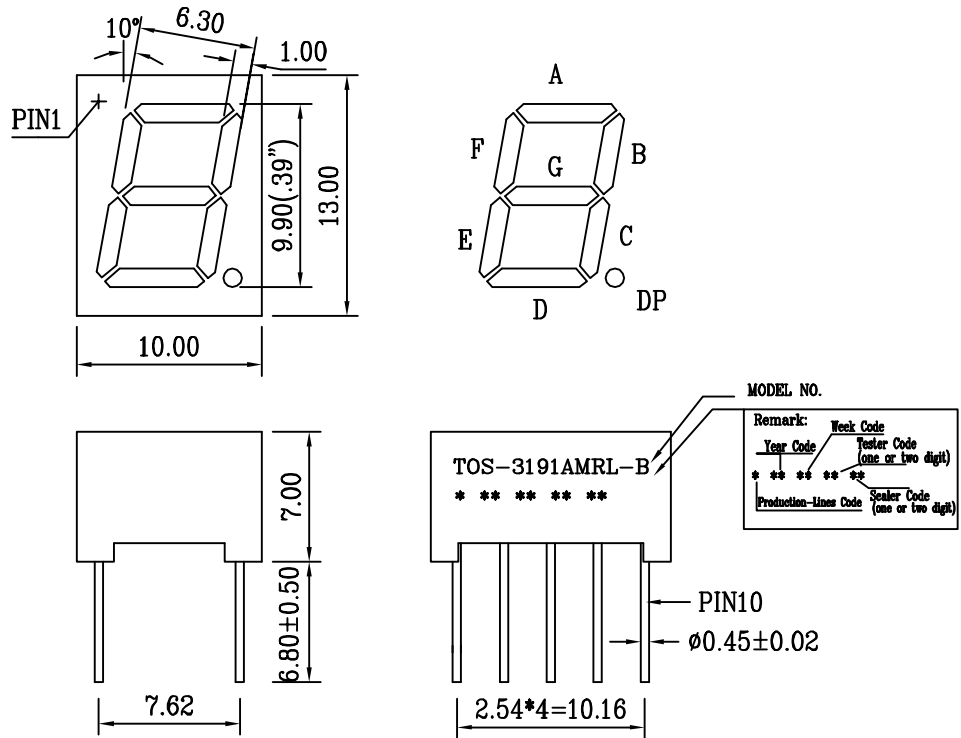


TAIWAN OASIS LED DATA SHEET

PART NO. : TOS-3191AMRL-B

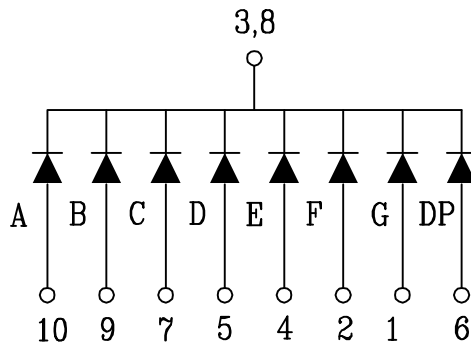
APPEARANCE			TECHNOLOGY	AlGaInP/GaAs
FACE	SEGMENT	PIN	SOURCE COLOR	Ultra-Red
			DRIVER MODE	Com. Cathode
Black	White	ø0.45x10.28	PACKING	"XL" Plastic Box

PACKAGE DIMENSIONS



NORMAL TOLERANCE: ±0.25 ANGLE: ±1°

INTERNAL CIRCUIT DIAGRAM



DATE	08/11/09'	SCALE	2.5:1	DRAWING NO.	S-3191AMRL-B-A	DRAWN	W.X.W/X.L	CHECKED	
UNIT	M/M	SHEET NO.	1/2			CUSTOMER		APPROVED	



TAIWAN OASIS LED DATA SHEET

PART NO. : TOS-3191AMRL-B

ABSOLUTE MAXIMUM RATINGS AT TA=25°C

PARAMETER	VALUE	UNITS
Power Dissipation Per Segment	75	mW
Peak Forward Current Per Segment (1/10 Duty Cycle, 0.1ms Pulse Width)	80	mA
Continuous Forward Current Per Segment	20	mA
Recommend Operating Current	12	mA
Reverse Voltage Per Segment	5	V
Operating Temperature Range	-25 to +85	°C
Storage Temperature Range	-30 to +85	°C
Junction Temperature	>85	°C
Lead-Free Solder Temperature(1/16 Inch Below Seating Plane)	260°C for 3 sec.	

ELECTRICAL/OPTICAL CHARACTERISTICS AT TA=25°C

PARAMETER	SYMBOL	MIN.	TYP.	MAX.	UNITS	TEST CONDITION
Luminous Intensity Per Segment	I _v		15524		μcd	I _F = 10mA
Dominant Emission Wavelength	λ _d		640		nm	I _F = 20mA
Spectral Line Half-Width	Δλ		15		nm	I _F = 20mA
Forward Voltage Per Segment	V _F	1.8	2.0	2.3	V	I _F = 20mA
Reverse Current Per Segment	I _R			50	μA	V _R = 5V
Luminous Intensity Matching Rate	I _{v-m}			2:1		I _F = 20mA

Notes: Above specification may be changed without notice.

DATE	08/11/09'	SCALE	_____	DRAWING NO.	S-3191AMRL-B-A	DRAWN	W.X.W/X.L	CHECKED	
UNIT	_____	SHEET NO.	2/2			CUSTOMER		APPROVED	