



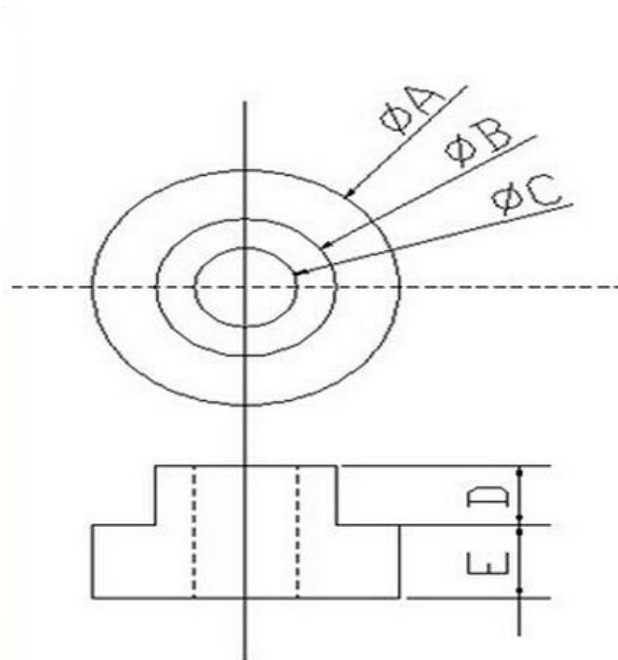
Product Name: High Temperature Resistance TO-220x Bushing.

Material: nylon.

Model: TO-220D.

Application: use in kinds of electrical appliances (switching power supply, TV) heatsink for thermal conductive and heat dissipation .

Color: Light beige.



Model No.	A	B	C	D	E
TO-220	6.0	3.6	3.0	1.5	1.1
TO-220A	6.0	3.6	3.0	2.0	1.1
TO-220B	6.3	3.6	3.0	2.5	2.0
TO-220D	6.0	3.5	3.0	3.1	1.9
TTO-220E	6.0	3.6	3.0	4.0	1.6
TO-3	8.0	3.8	3.1	2.5	2.0
TO-3E	12.0	7.0	4.2	3.0	2.0
Material	NYLON66				

TO-220 D INSULATION PARTICLES PROPERTIES TABLE				
Test Item	Test Data	Testing Tool	Unit	Reference Standard
Color	Light Beige	Visual (color box)	-	Visual
Specific gravity	1.13±0.1	Hydrometer	kg/cm ²	ASTMD792
Hardness	120±5	Hardness (ball)	shore	ASTMD2240
Breakdown Voltage	≥2.0	Pressure Tester	kv/mm	ASTMD149
Continuous use Temp	-50~+220	Industrial refrigerator / oven	C	EN344
Water absorption rate	1.20%			