


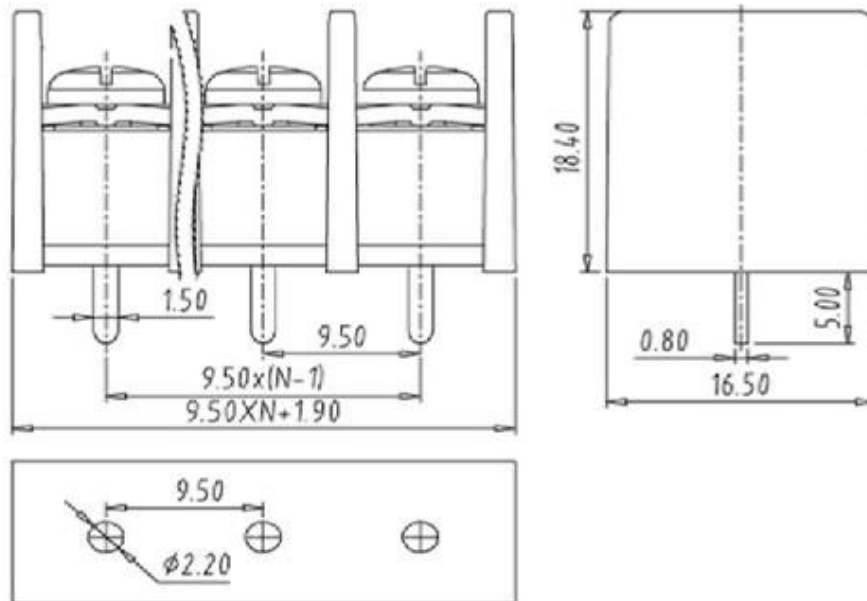


## ULO-TB42-45C/B

Pitch:	9.50mm	
Standard	  	
Rated voltage	300V	450V
Rated current	15A	17.5A
Ambient temperature	-40°C~+115°C	
Wire range	22-10AWG	4mm <sup>2</sup>
Torque	0.8N.m	
Poles	02P-24P	
Material Message		
Housing	PA66, UL94V-0	
Screws	steel, M3.5 Ni-plated	
Terminal	Brass, 0.8t Tin-plated	



## How to order

ULO-TB□□ - □□□□ - □□P- □□□ 0A  
①                                      ②                                      ③                                      ④⑤⑥                                      ⑦

- ① Series No.
- ② Client code or Factory code
- ③ Number of poles: Two digits from 02-99
- ④ Color of products: One digit from 1 to 9.
  - 1. Grey              2. Blue              3. Black              4. Green              5. Orange
  - 6. Red              7. Transparent              8. Yellow              9. White
- ⑤ Screw head type, 0: Slot screw    1:Cross screw
- ⑥ Screw clamping type , 0: Screw down    1:Screw up
- ⑦ '0A':Standard Product