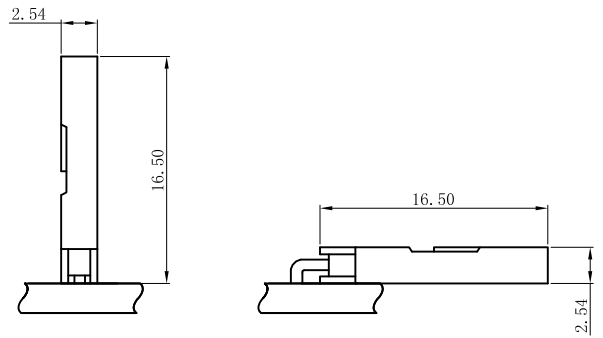
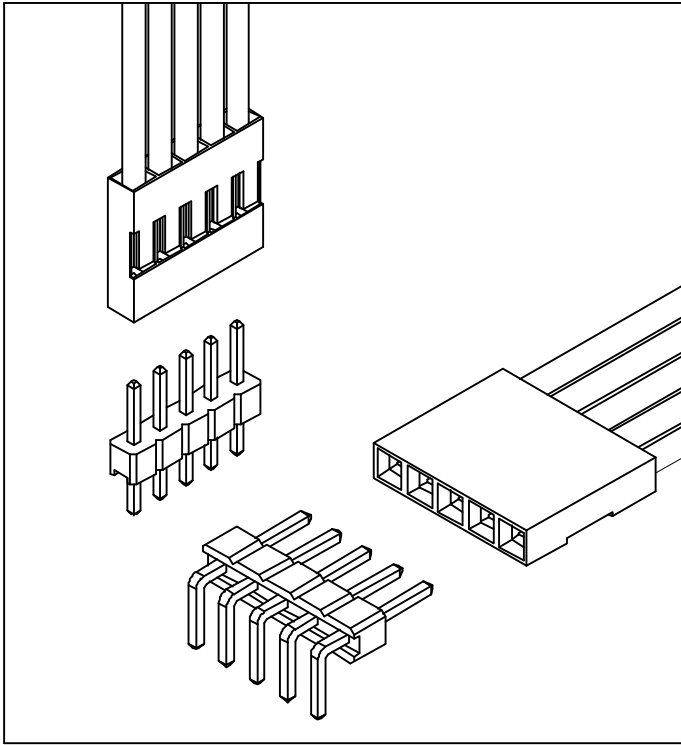


SPECIFICATIONS:

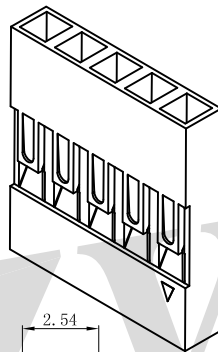
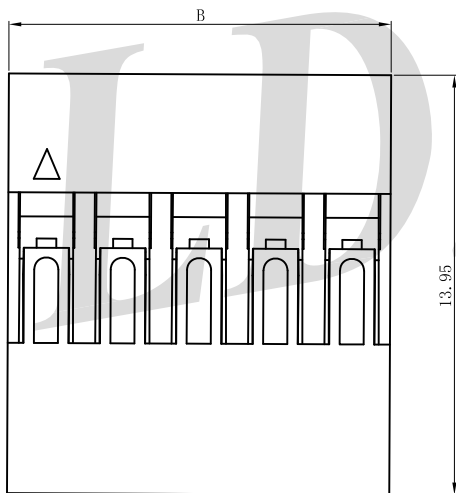
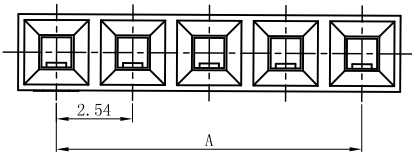
Voltage Rating: 250V AC/DC
 Current Rating: 3A AC/DC
 Withstanding Voltage: 1500V AC/Minute
 Temperature Range: -25°C~+85°C
 Insulation Resistance: 1000MΩ Min.
 Contact Resistance: 20mΩ Max.
 Applicable Wire Range: AWG#22~26.

Assembly Layout:



A2545H-NP-PPBK

2.54mm Pitch Single Row Housing



Reference Informations:

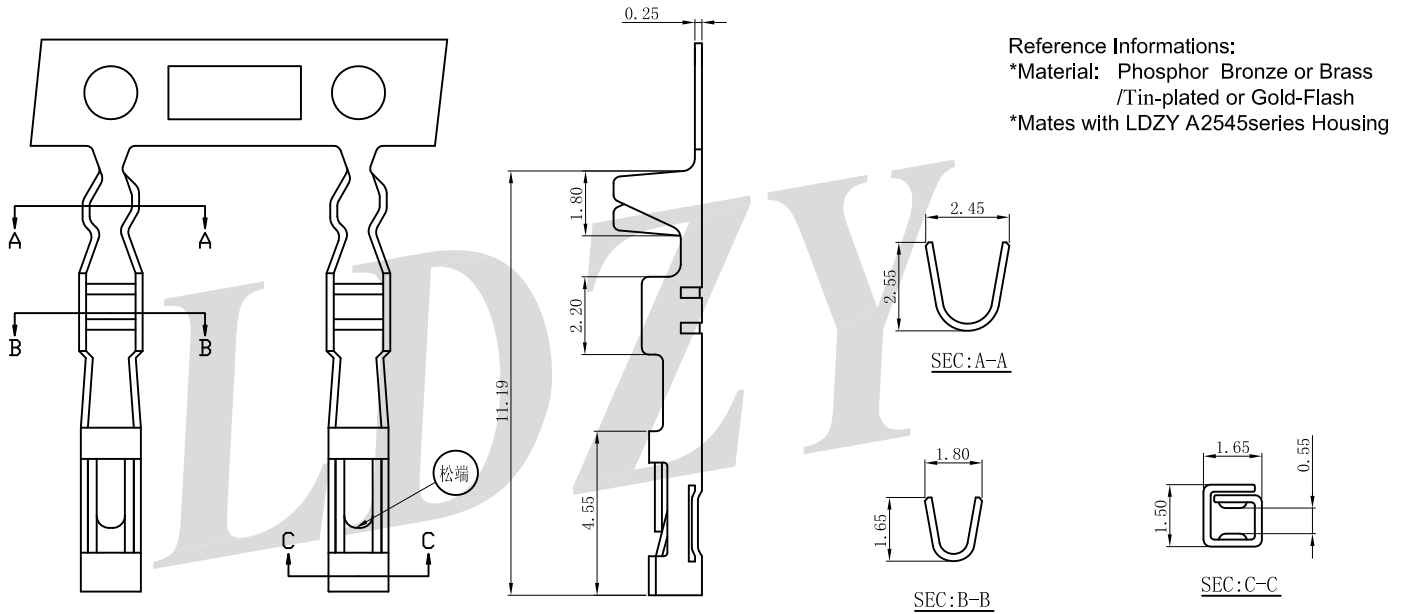
*Material:
 Housing: PPO UL94V-0/Black
 *Suitable LDZY A2545 series Terminal

Ordering Information & Dimensions

Poles	Dimensions (mm)		Poles	Dimensions (mm)	
	A	B		A	B
2P	2.54	5.08	22P	53.34	55.88
3P	5.08	7.62	23P	55.88	58.42
4P	7.62	10.16	24P	58.42	60.96
5P	10.16	12.70	25P	60.96	63.50
6P	12.70	15.24	26P	63.50	66.04
7P	15.24	17.78	27P	66.04	68.58
8P	17.78	20.32	28P	68.58	71.12
9P	20.32	22.86	29P	71.12	73.66
10P	22.86	25.40	30P	73.66	76.20
11P	25.40	27.94	31P	76.20	78.74
12P	27.94	30.48	32P	78.74	81.28
13P	30.48	33.02	33P	81.28	83.82
14P	33.02	35.56	34P	83.82	86.36
15P	35.56	38.10	35P	86.36	88.90
16P	38.10	40.64	36P	88.90	91.44
17P	40.64	43.18	37P	91.44	93.98
18P	43.18	46.72	38P	93.98	96.52
19P	45.72	48.26	39P	96.52	99.06
20P	48.26	50.80	40P	99.06	101.60
21P	50.80	53.34			

A2545TF-XXXB

2.54mm Pitch Terminal

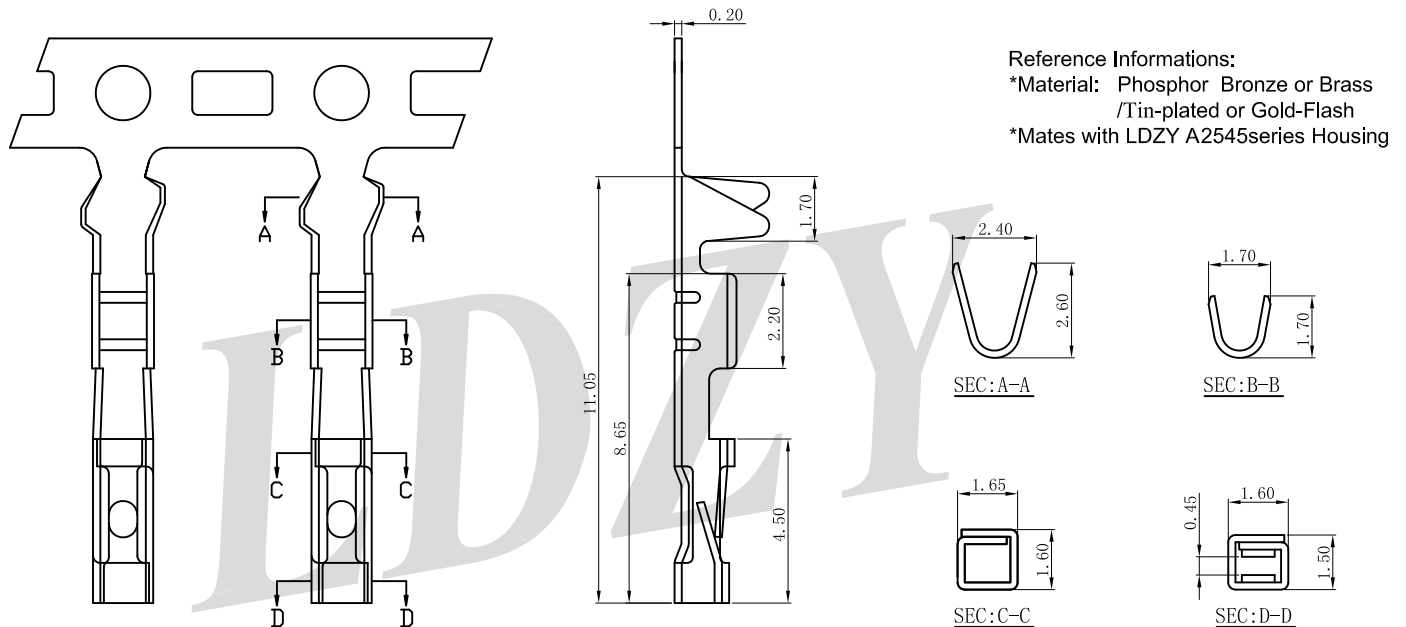


Ordering Information & Specifications

Part No	Wire Range	Insulation O.D.	Material	Finish	Qty/reel
A2545TF-PT1B	AWG#22-#26	1.63mm(max)	Phosphor Bronze	Tin-plated	10,000pcs
A2544TF-PGMB	AWG#22-#26	1.63mm(max)	Phosphor Bronze	Gold-Flash	10,000pcs
A2545TF-BT1B	AWG#22-#26	1.63mm(max)	Brass	Tin-plated	10,000pcs
A2544TF-BGMB	AWG#22-#26	1.63mm(max)	Brass	Gold-Flash	10,000pcs

A2545TF-XXXA

2.54mm Pitch Terminal

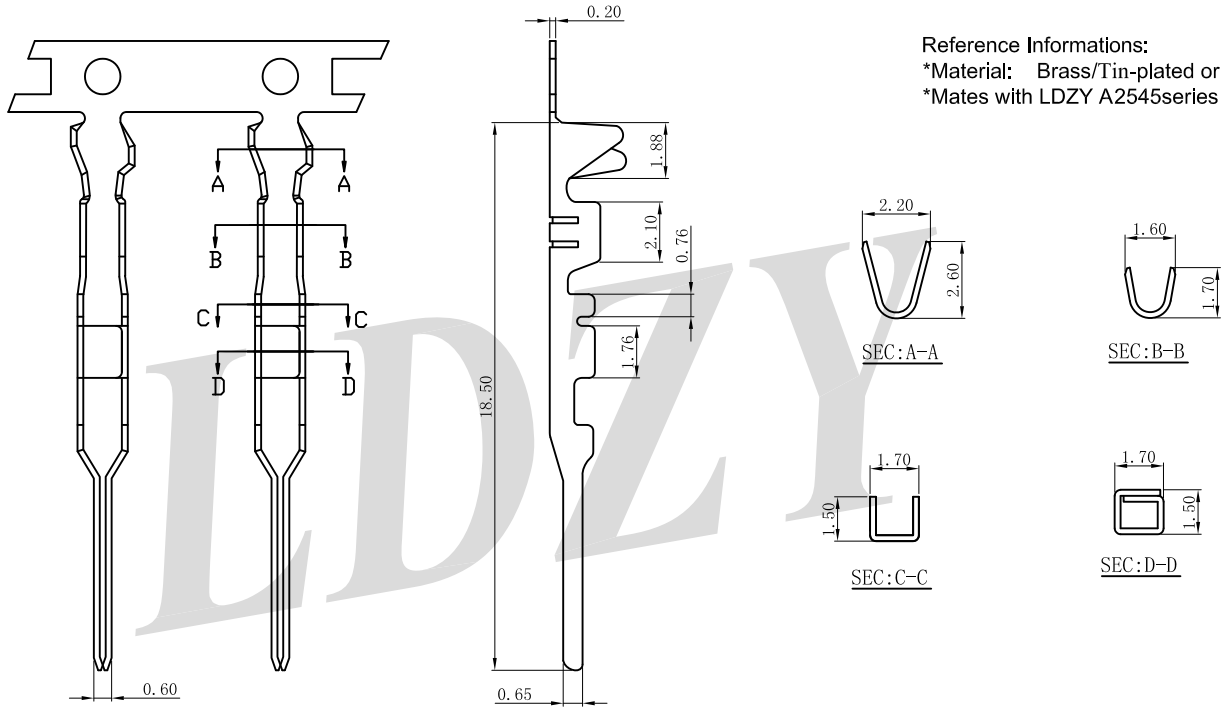


Ordering Information & Specifications

Part No	Wire Range	Insulation O.D.	Material	Finish	Qty/reel
A2545TF-PT1A	AWG#22-#26	1.63mm(max)	Phosphor Bronze	Tin-plated	10,000pcs
A2544TF-PGMA	AWG#22-#26	1.63mm(max)	Phosphor Bronze	Gold-Flash	10,000pcs
A2545TF-BT1A	AWG#22-#26	1.63mm(max)	Brass	Tin-plated	10,000pcs
A2544TF-BGMA	AWG#22-#26	1.63mm(max)	Brass	Gold-Flash	10,000pcs

A2545TM-BXX

2.54mm Pitch Terminal



Reference Informations:
 *Material: Brass/Tin-plated or Gold-Flash
 *Mates with LDZY A2545series Housing

Ordering Information & Specifications

Part No	Wire Range	Insulation O.D.	Material	Finish	Qty/reel
A2545TM-BT1	AWG#22-#26	1.63mm(max)	Brass	Tin-plated	10,000pcs
A2545TM-BGT	AWG#22-#26	1.63mm(max)	Brass	Gold-Flash	10,000pcs