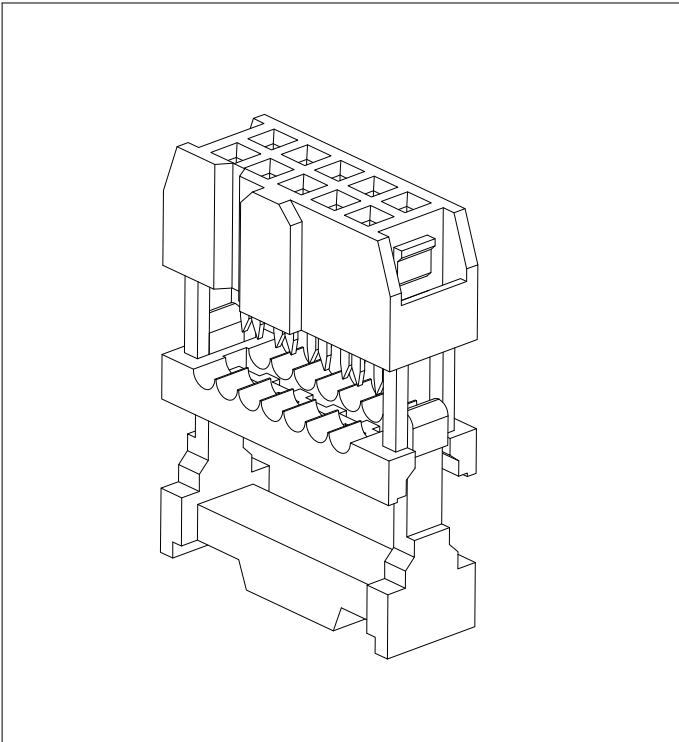


SPECIFICATIONS:

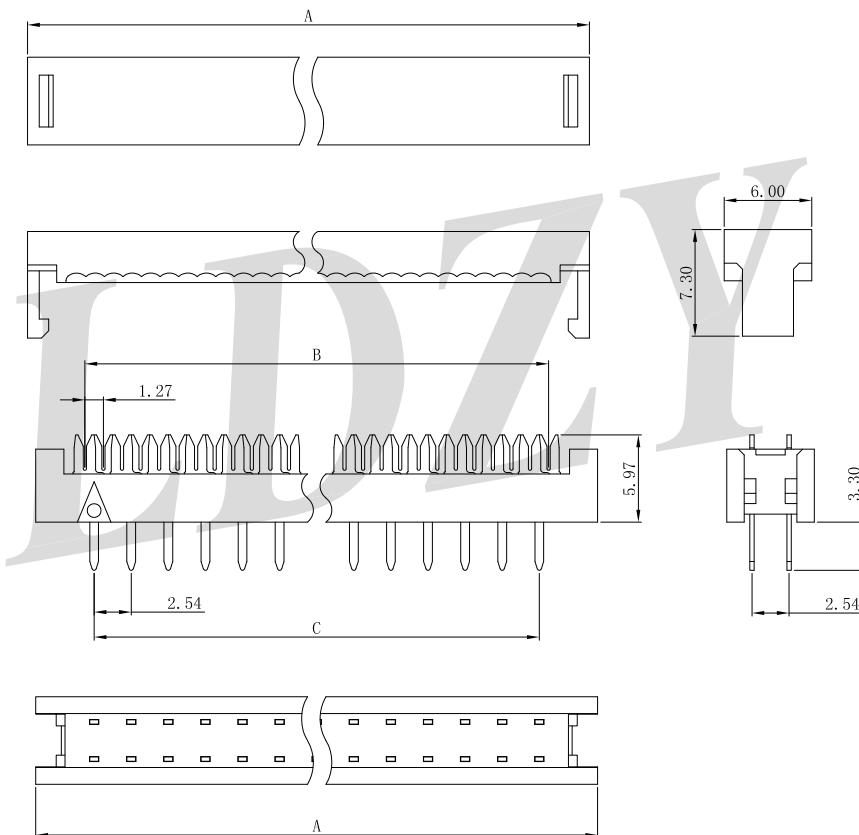
- Voltage Rating: 250V AC/DC
- Current Rating: 3A AC/DC
- Withstanding Voltage: 1500V AC/Minute
- Temperature Range: -25°C~+85°C
- Insulation Resistance: 1000MΩ Min.
- Contact Resistance: 20mΩ Max.

Assembly Layout:



D2553WVA-2NP-P0BKG

2.54mm Pitch 180° Dual Row IDC/DIP



Reference Informations:

*Material:

PIN: Brass/Gold Flash

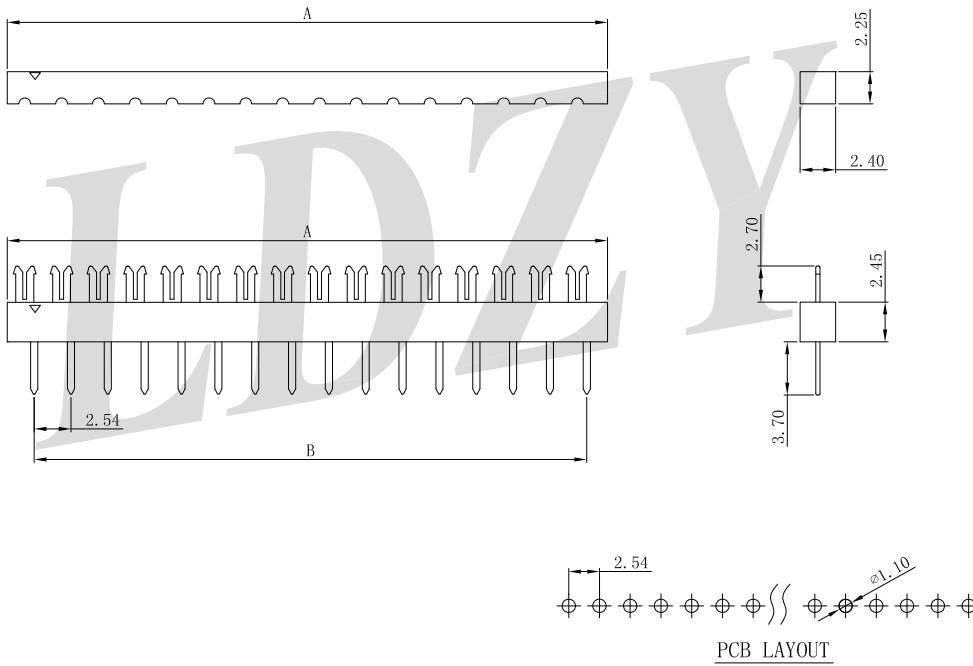
Wafer: PBT UL94V-0/ Black

Ordering Information & Dimensions

Poles	Dimensions (mm)		
	A	B	C
2*3P	13.07	6.35	5.08
2*4P	15.61	8.89	7.62
2*5P	18.15	11.43	10.16
2*6P	20.69	13.97	12.70
2*7P	23.23	16.51	15.24
2*8P	25.77	19.05	17.78
2*9P	28.31	21.59	20.32
2*10P	30.85	24.13	22.86
2*12P	35.93	29.21	27.94
2*13P	38.47	31.75	30.48
2*15P	43.55	36.83	35.56
2*17P	48.63	41.91	40.64
2*18P	51.17	44.45	43.18
2*20P	56.25	49.53	48.28
2*25P	68.95	62.23	60.96
2*30P	81.65	74.93	73.66
2*32P	86.73	80.01	78.74

D2553WVB-NP-P0BKG

2.54mm Pitch 180° Single Row IDC/DIP



Reference Informations:

*Material:

PIN: Brass/Gold Flash

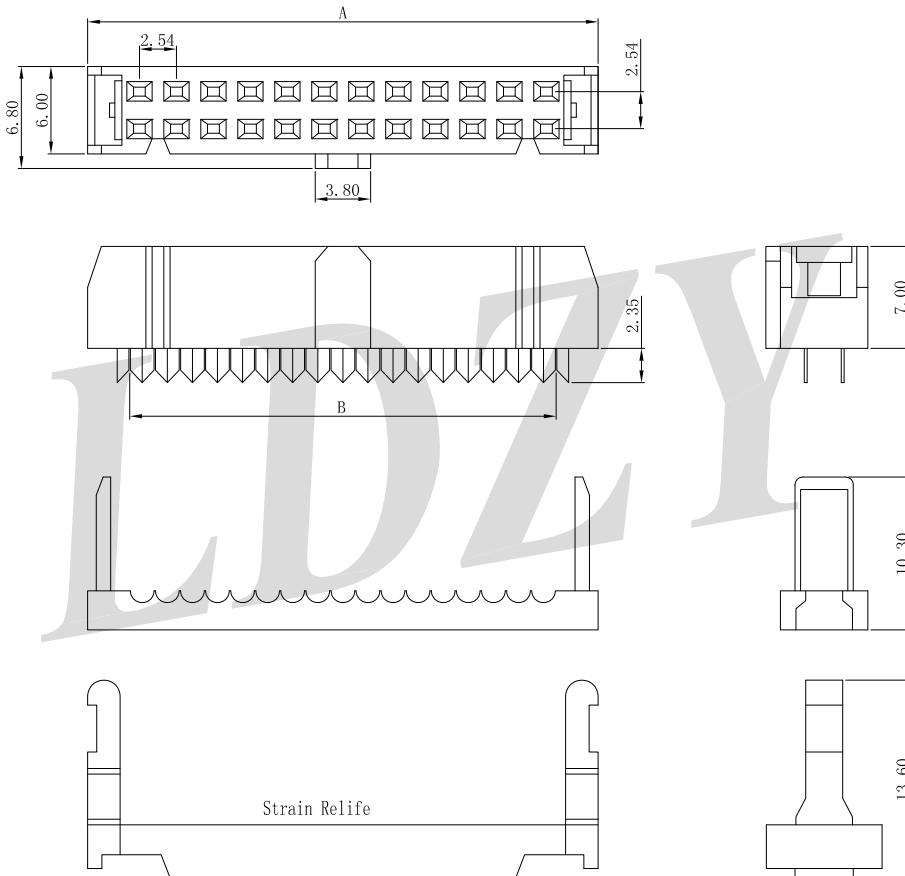
Wafer: PBT UL94V-0/ Black

Ordering Information & Dimensions

Poles	Dimensions (mm)	
	A	B
03	8.48	5.08
04	11.02	7.62
05	13.56	10.16
06	16.10	12.70
07	18.64	15.24
08	21.18	17.78
09	23.72	20.32
10	26.26	22.86
11	28.80	25.40
12	31.34	27.94
13	33.88	30.48
14	36.42	33.02
15	38.96	35.56
16	41.50	38.10
17	44.04	40.64
18	46.58	43.18
19	49.12	45.72
20	51.66	48.26
21	54.20	50.80
22	56.74	53.34
23	59.28	55.88
24	61.82	58.42
25	64.36	60.96

D2553WVC-2NP-P0BKG

2.54mm Pitch 180° Dual Row IDC/DIP



Reference Informations:

*Material:

PIN: Brass/Gold Flash

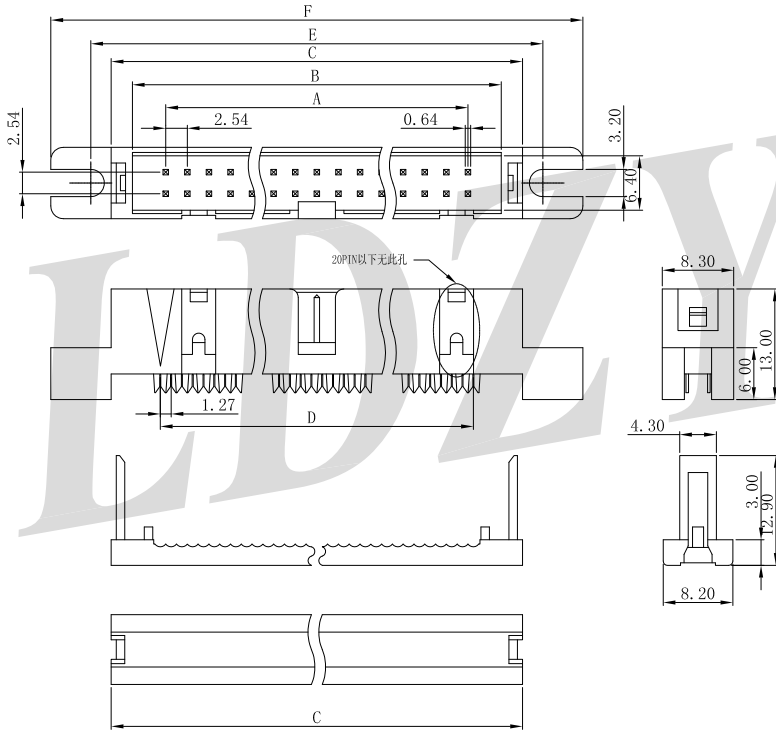
Wafer: PBT UL94V-0/ Black

Ordering Information & Dimensions

Poles	Dimensions (mm)	
	A	B
2*3P	12.19	6.35
2*4P	14.73	8.89
2*5P	17.27	11.43
2*6P	19.81	13.97
2*7P	22.35	16.51
2*8P	24.89	19.05
2*9P	27.43	21.59
2*10P	29.97	24.13
2*11P	32.51	26.67
2*12P	35.05	29.21
2*13P	37.59	31.75
2*14P	40.13	34.29
2*15P	42.67	36.83
2*16P	45.21	39.37
2*17P	47.75	41.91
2*18P	50.29	44.45
2*19P	52.83	46.99
2*20P	55.37	49.53
2*21P	57.91	52.07
2*22P	60.45	54.61
2*23P	62.99	57.15
2*24P	65.53	59.69
2*25P	68.07	62.23

D2553WVE-2NP-P0BKG

2.54mm Pitch 180° Dual Row IDC/DIP



Reference Informations:

*Material:

PIN: Brass/Gold Flash

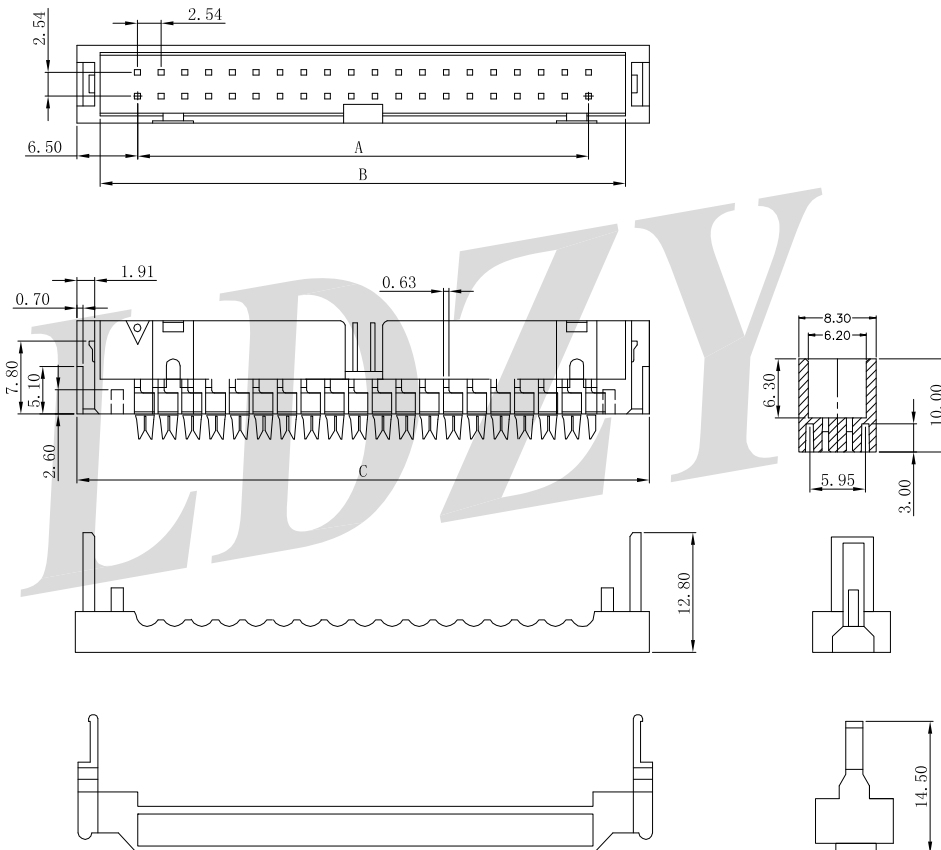
Wafer: PBT UL94V-0/ Black

Ordering Information & Dimensions

Poles	Dimensions (mm)					
	A	B	C	D	E	F
2*5P	10.16	18.15	22.95	11.43	27.80	37.15
2*7P	15.24	23.23	28.03	16.51	32.88	42.23
2*8P	17.78	25.77	30.57	19.05	35.42	44.77
2*10P	22.86	30.85	35.65	24.13	40.50	49.85
2*12P	27.94	35.93	40.73	29.21	45.58	54.93
2*13P	30.48	38.47	43.27	31.75	48.12	57.47
2*15P	35.56	43.55	48.35	36.83	53.20	62.55
2*17P	40.64	48.63	53.43	41.91	58.28	67.63
2*20P	48.26	56.25	61.05	49.53	65.90	75.25
2*25P	60.96	68.95	73.75	62.23	78.60	87.95
2*30P	73.66	81.65	86.45	74.93	91.30	100.65
2*32P	78.74	86.73	91.53	80.01	96.38	105.73

D2553WVF-2NP-P0BKG

2.54mm Pitch 180° Dual Row IDC/DIP



Reference Informations:

*Material:

PIN: Brass/Gold Flash

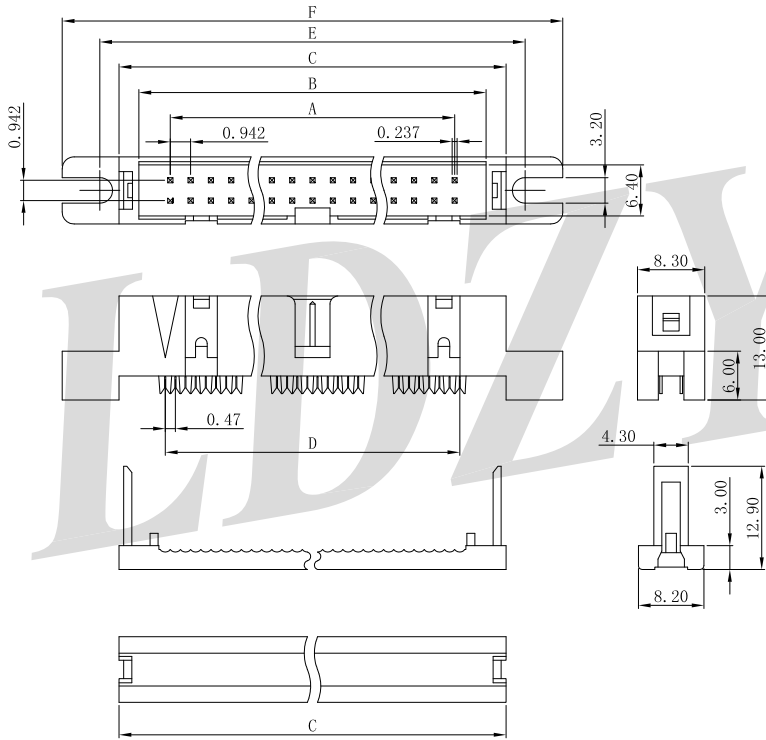
Wafer: PBT UL94V-0/ Black

Ordering Information & Dimensions

Poles	Dimensions (mm)		
	A	B	C
2*5P	10.16	18.16	22.96
2*7P	15.24	23.24	28.04
2*8P	17.78	25.78	30.58
2*10P	22.86	30.86	35.76
2*12P	27.94	35.94	40.84
2*13P	30.48	38.48	43.38
2*15P	35.56	43.56	48.46
2*17P	40.64	48.64	53.64
2*20P	48.26	56.26	61.26
2*25P	60.96	68.96	73.96
2*30P	73.66	81.66	86.71
2*32P	78.74	86.74	91.84

D2553WVH-2NP-P0BKG

2.54mm Pitch 180° Dual Row IDC/DIP



Reference Informations:

*Material:

PIN: Brass/Gold Flash

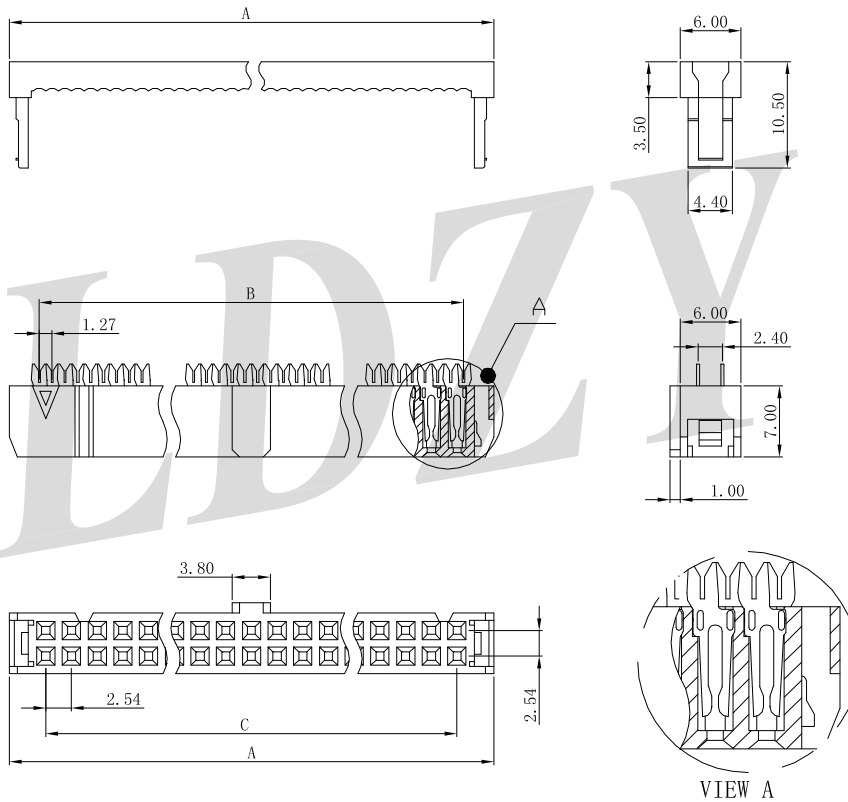
Wafer: PBT UL94V-0/ Black

Ordering Information & Dimensions

Poles	Dimensions (mm)					
	A	B	C	D	E	F
2*5P	10.16	18.15	22.95	11.43	27.80	37.15
2*7P	15.24	23.23	28.03	16.51	32.88	42.23
2*8P	17.78	25.77	30.57	19.05	35.42	44.77
2*10P	22.86	30.85	35.65	24.13	40.50	49.85
2*12P	27.94	35.93	40.73	29.21	45.58	54.93
2*13P	30.48	38.47	43.27	31.75	48.12	57.47
2*15P	35.56	43.55	48.35	36.83	53.20	62.55
2*17P	40.64	48.63	53.43	41.91	58.28	67.63
2*20P	48.26	56.25	61.05	49.53	65.90	75.25
2*25P	60.96	68.95	73.75	62.23	78.60	87.95
2*30P	73.66	81.65	86.45	74.93	91.30	100.65
2*32P	78.74	86.73	91.53	80.01	96.38	105.73

D2553WVI-2NP-P0BKG

2.54mm Pitch 180° Dual Row IDC/DIP



Reference Informations:

*Material:

PIN: Brass/Gold Flash

Wafer: PBT UL94V-0/ Black

Ordering Information & Dimensions

Poles	Dimensions (mm)		
	A	B	C
2*3P	12.32	6.35	5.08
2*4P	14.86	8.89	7.62
2*5P	17.40	11.43	10.16
2*6P	19.94	13.97	12.70
2*7P	22.48	16.51	15.24
2*8P	25.02	19.05	17.78
2*9P	27.56	21.59	20.32
2*10P	30.10	24.13	22.86
2*12P	35.18	29.21	27.94
2*13P	37.72	31.75	30.48
2*15P	42.80	36.83	35.56
2*17P	47.88	41.91	40.64
2*18P	50.42	44.45	43.18
2*20P	55.50	49.53	48.26
2*22P	60.58	54.61	53.34
2*25P	68.20	62.23	60.96
2*30P	80.90	74.93	73.66
2*32P	85.98	80.01	78.74