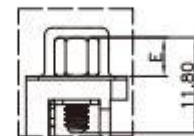
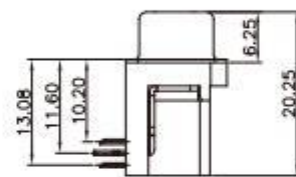
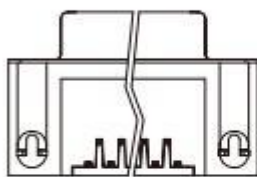
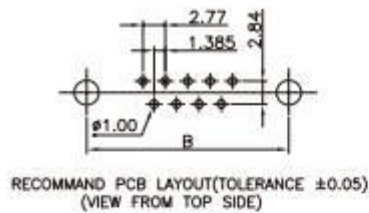
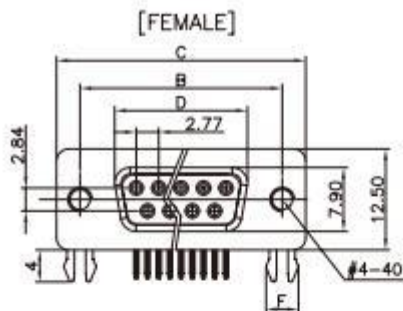


ULO-DB425A

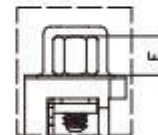
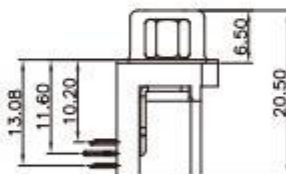
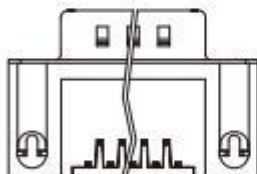


Specification	
Contact Resistance	20mΩ Max.Initial
Dielectric Withstanding Voltage	500V AC(rms) For 1 Minute
Insulation Resistance	1000MΩ Min
Temperature Range	-45°C~+105°C
Voltage Rating	250Vac
Contact Current Rating	1.5A MAX. Per Pin

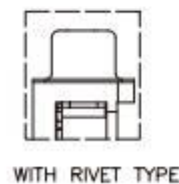
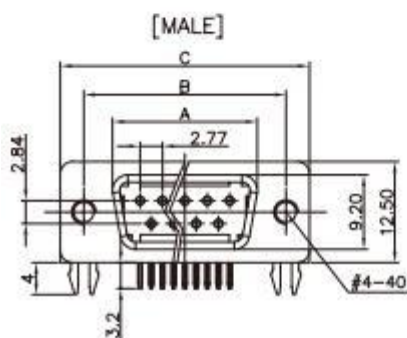
Material	
Housing	PBT with glass fiber, UL 94 V-0
Contact Material	Copper Alloy
Shell	Steel
Board lock	Copper alloy



WITH SCREW TYPE



WITH SCREW AND RIVET TYPE



Dimension

Position	A±0.2	B±0.2	C±0.2	D
9	17.90	24.99	30.80	16.33
15	26.50	33.32	39.14	24.66
25	40.00	47.04	53.04	38.38
37	56.50	63.50	69.32	54.84

HOW TO ORDER

ULO-DB425A -

