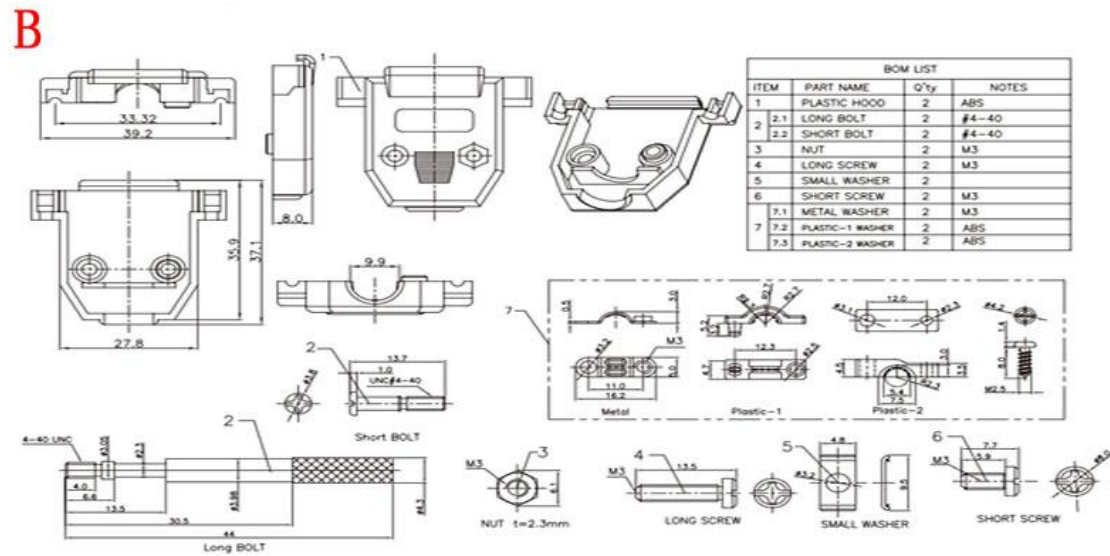
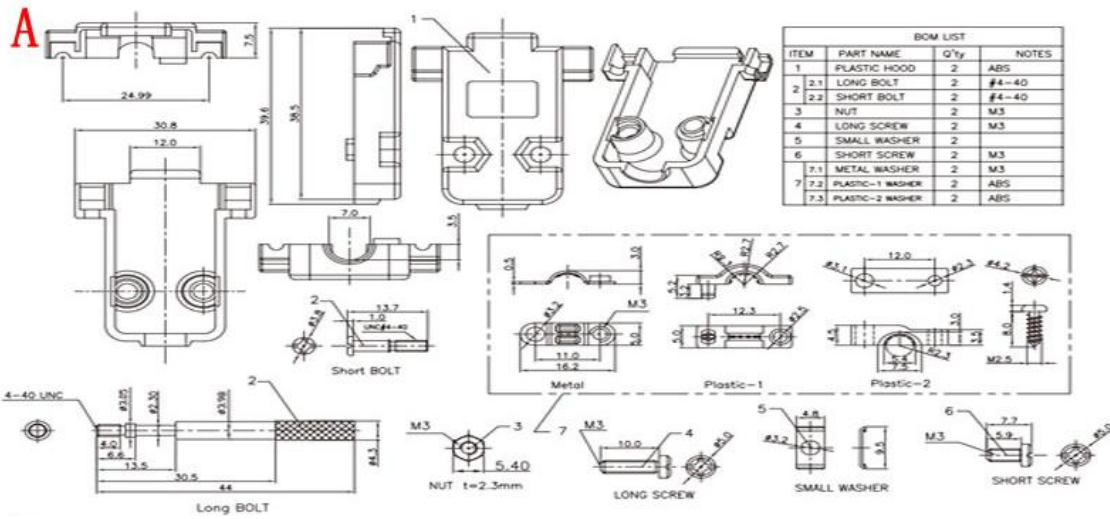


ULO-DBH433

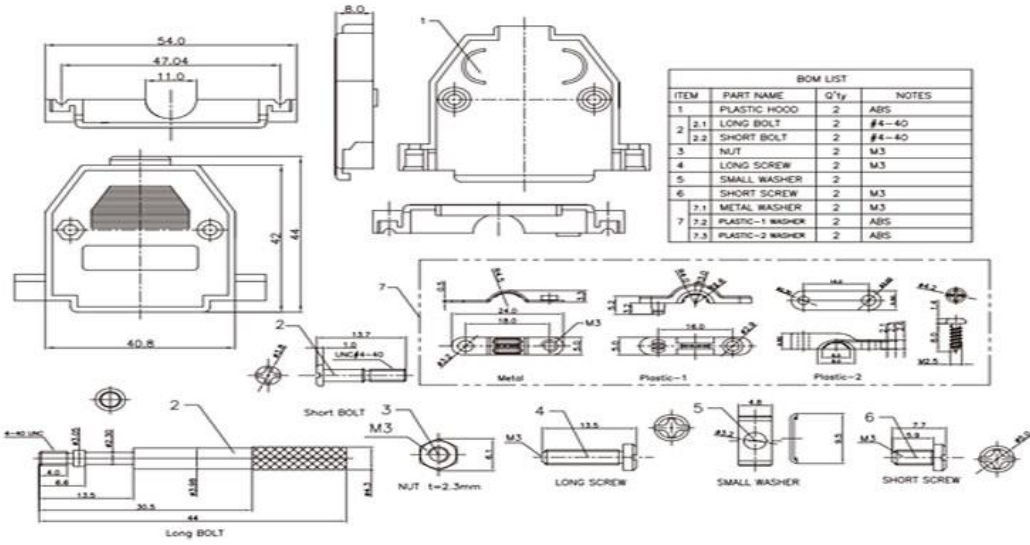


Material:

Shell: ABS 30% G.F



C



D

