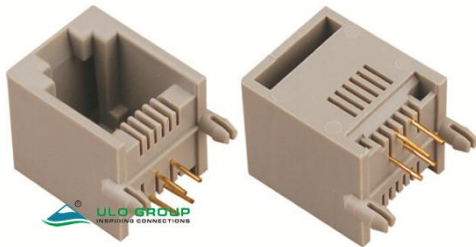
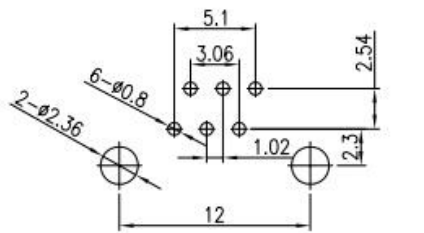


ULO-PJ521

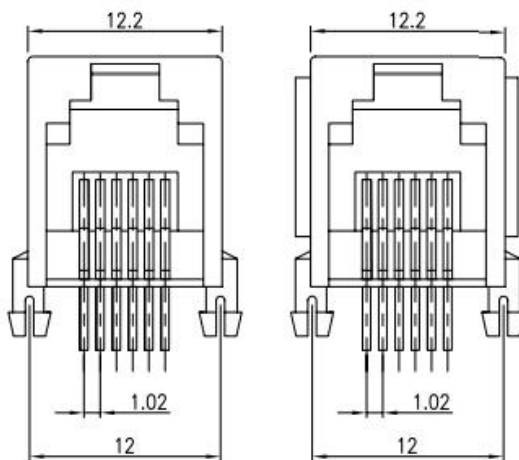
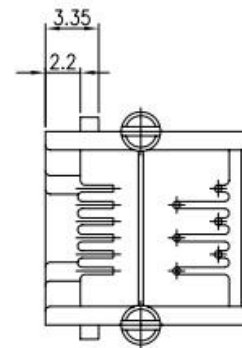


Specification	
Insulation Resistance	1000MΩ Min
Withstand Voltage	500V AC / Minute
Durability	600 Mating Cycles Min

Material	
Housing	Nylon or PBT, UL 94 V-0 or V-2
Contact Material	Copper Alloy

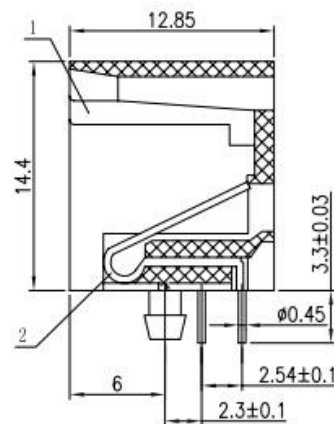


RECOMMEND PCB LAYOUT(TOLERANCE=±0.05)



W/O EAR

W/ EAR



HOW TO ORDER

ULO-PJ521 -

