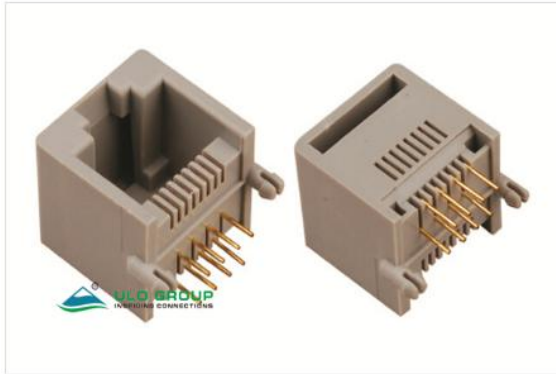


## ULO-PJ522

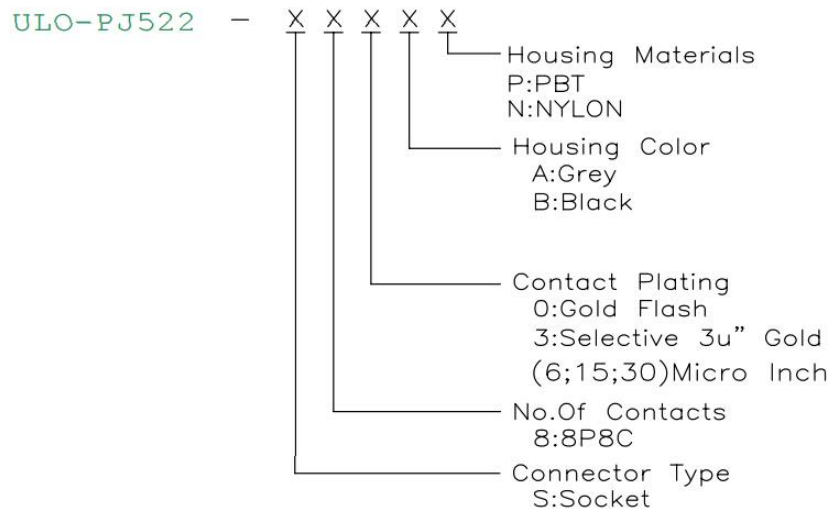


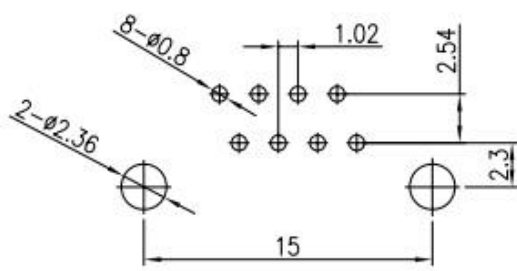
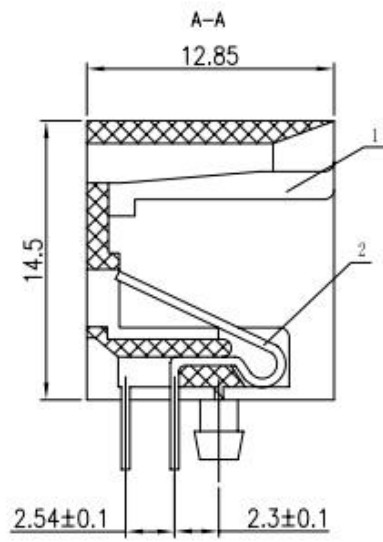
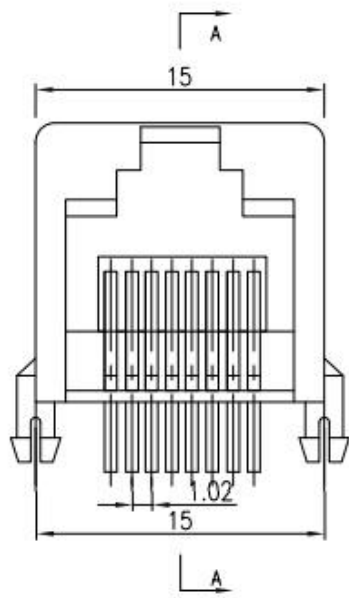
Part No.:ULO-PJ522

Type:PCB Jack 8 Pin Vertical Type, No. of Contacts:8p8c,  
Resistance rating:1000MΩ Min, Voltage rating:500V AC / Minute,  
Housing material:Nylon or PBT, UL 94 V-0 or V-2

Specification	
Insulation Resistance	1000MΩ Min
Withstand Voltage	500V AC / Minute
Durability	600 Mating Cycles Min
<b>Material</b>	
Housing	Nylon or PBT, UL 94 V-0 or V-2
Contact Material	Copper Alloy

## HOW TO ORDER





RECOMMEND PCB LAYOUT(TOLERANCE=±0.05)

