

### ELECTRICAL SPECIFICATION

|                                    |   |
|------------------------------------|---|
| Frequency Range                    | 12.0000 to 50.000 MHz                   |
| Load Capacitance                   | 8pF to 32pF or series                   |
| Frequency Tolerance (at 25 °C)     | ±30ppm Maximum                          |
| Oscillation Mode                   | Fundamental                             |
| Frequency Stability in Temperature | ±50ppm Maximum                          |
| Operating Temperature Range        | -20 °C to +70 °C Standard (or Optional) |
| Storage Temperature Range          | -40 °C to +85 °C                        |
| Equivalent Series Resistance (ESR) | See ESR Table                           |
| Drive Level                        | 1.0mW Maximum                           |
| Shunt Capacitance                  | 7pF Maximum                             |
| Aging (at 25 °C)                   | ±3ppm per year                          |
| Insulation Resistance              | 500 MOhm Minimum                        |

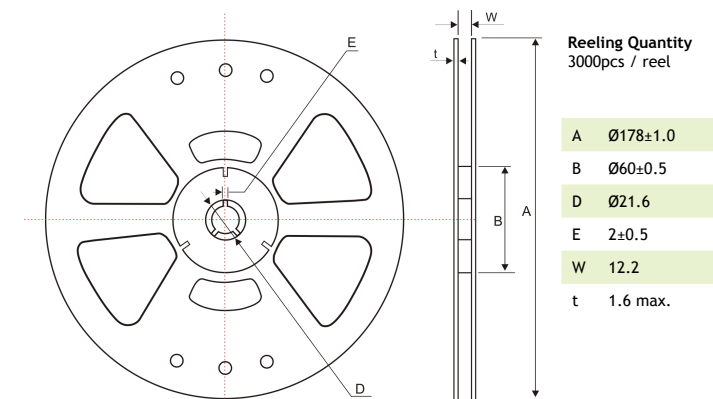
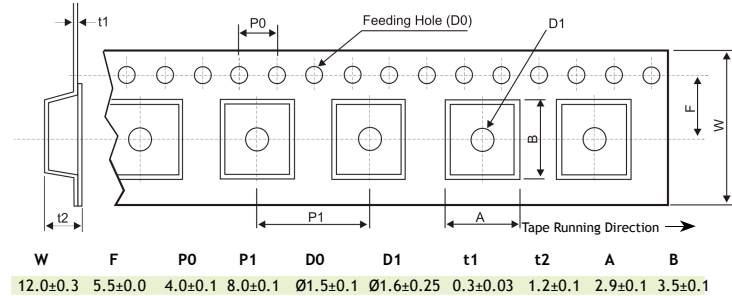
### FREQUENCY RANGE AND OSCILLATION MODE

|                 |                      |
|-----------------|----------------------|
| Fundamental (F) | 12.0000 to 50.000MHz |
|-----------------|----------------------|

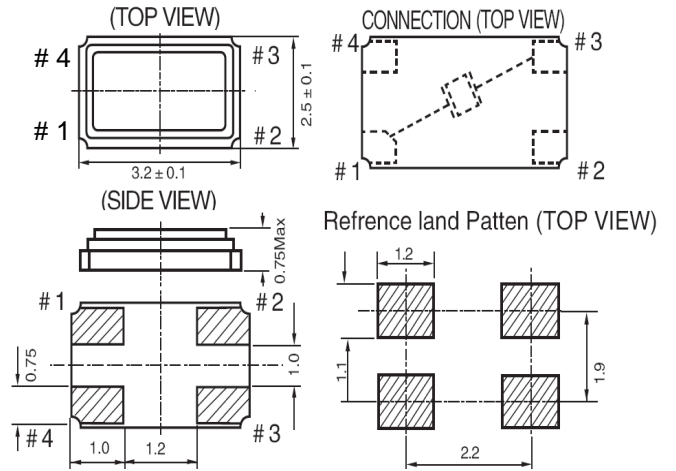
### ESR TABLE (Ohms)

|                     |        |
|---------------------|--------|
| 12.000 to 16.000MHz | 100Max |
| 16.000 to 20.000MHz | 80Max  |
| 20.000 to 24.000MHz | 60Max  |
| 24.000 to 50.000MHz | 50Max  |

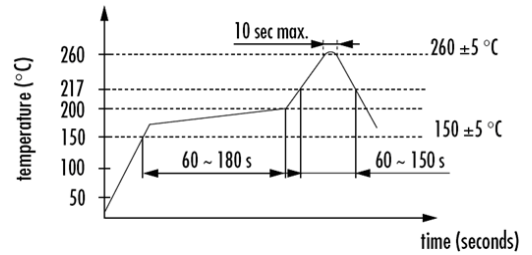
### TAPE SPECIFICATIONS (all in mm) - Carrier Tape Dimensions



### MECHANICAL DIMENSIONS (all in mm)



### SOLDERING



### PART NUMBERING SYSTEM (Example)

**SMD3225-14.7456-F-20-30-30-A-T**

