

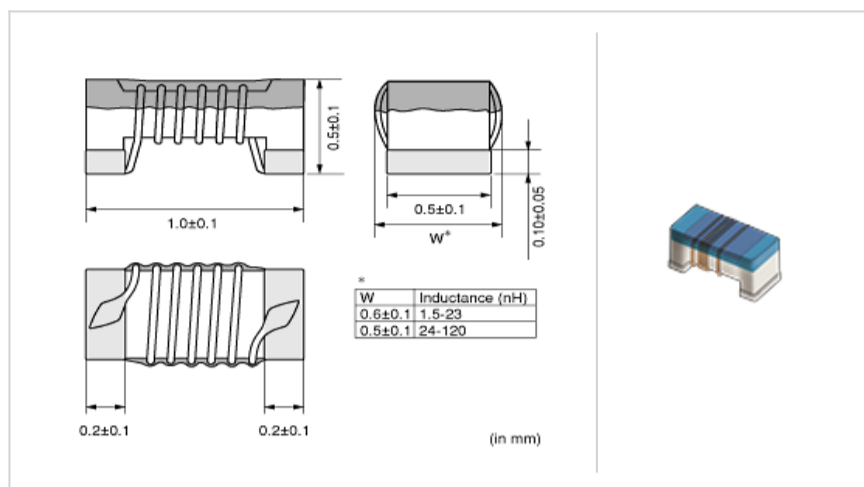
LQW15AN10NJ00#

" # " indicates a package specification code.



< List of part numbers with package codes >
LQW15AN10NJ00D , LQW15AN10NJ00B

Shape



| | |
|------------------------|-------------|
| L size | 1.0 ± 0.1mm |
| W size | 0.6 ± 0.1mm |
| T size | 0.5 ± 0.1mm |
| Size code in inch (mm) | 0402 (1005) |

Specifications

| | |
|---|-----------|
| Inductance | 10nH ± 5% |
| Inductance test frequency | 100MHz |
| Rated current (Itemp) (Based on Temperature rise) | 500mA |
| Max. of DC resistance | 0.17 |
| Q (min.) | 25 |
| Q test frequency | 250MHz |
| Self resonance frequency (min.) | 5.5GHz |
| Operating temperature range (Self-temperature rise is not included) | -55 ~ 125 |

References

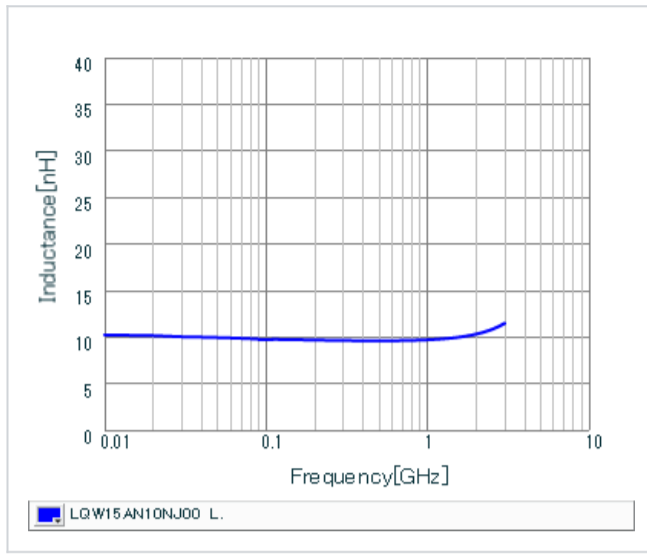
| Packaging code | Specifications | Minimum quantity |
|----------------|--------------------|------------------|
| D | 180mm Paper taping | 10000 |
| B | Packing in bulk | 500 |

| Mass (Typ.) | |
|-------------|---------|
| 1 piece | 0.0008g |

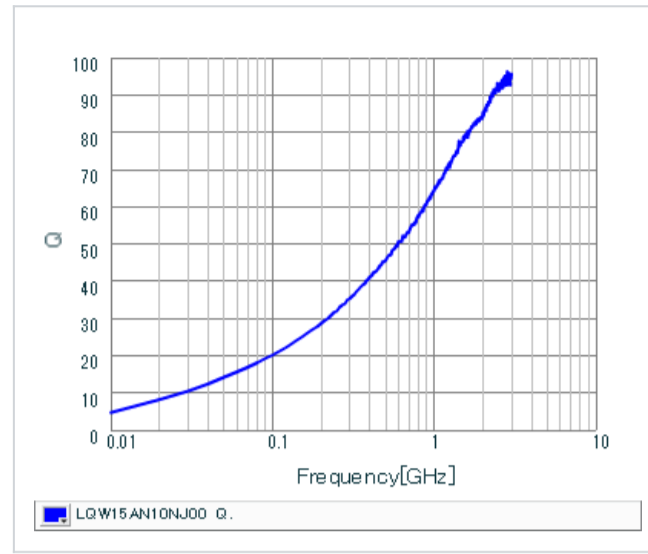
Attention

- 1.This datasheet is downloaded from the website of Murata Manufacturing Co., Ltd. Therefore, it ' s specifications are subject to change or our products in it may be discontinued without advance notice. Please check with our sales representatives or product engineers before ordering.
- 2.This datasheet has only typical specifications because there is no space for detailed specifications. Therefore, please review our product specifications or consult the approval sheet for product specifications before ordering.

▪ Inductance-Frequency characteristics (Typ.)



▪ Q-Frequency characteristics (Typ.)



This PDF data has only typical specifications because there is no space for detailed specifications. Therefore, please review our product specifications or consult the approval sheet for product specifications before ordering.