

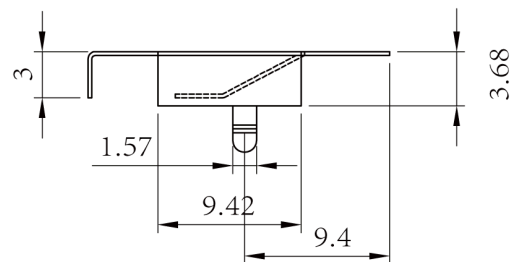
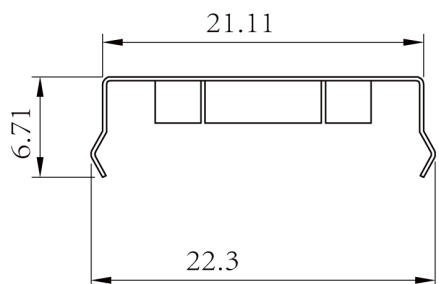
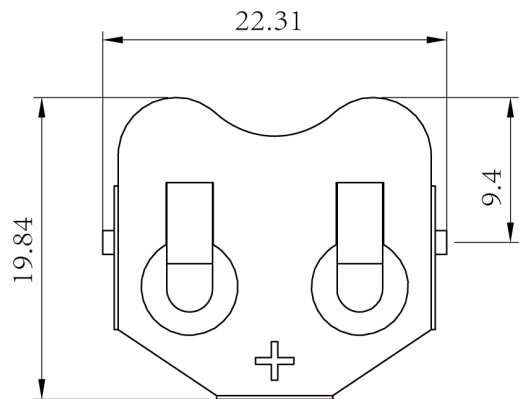


PART NO.

TBH-CR2032-Y-1A0N001

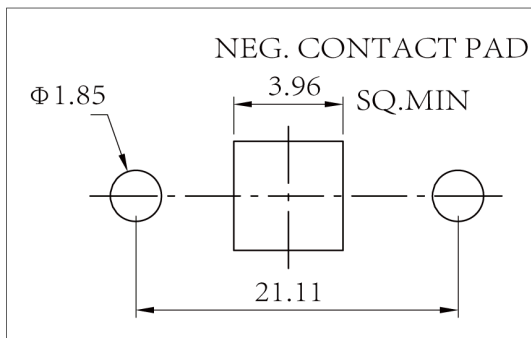
REVISIONS

ECN#	REV	DESCRIPTION	DRAWN	DATE	CHECKED	DATE	APPRVED	DATE
-	A	RELEASED		8/12/11	WU	8/12/11		8/12/11



▼ Key Control Size

Dimensions: Millimetres



Mounting Pad Layout

SPECIFICATIONS:

*Material:

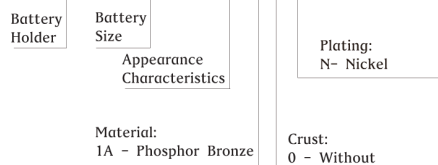
Housing: 0.25mm Phosphor Bronze

Surface Plaing: Nickel Plate



Ordering Information

TBH-CR2032-Y**0*



No.	Part Name	Material	Color/Finshed
1	Housing	Phosphor Bronze	Nickel
2			
3			

Important Notice: This data sheet and its contents (the "Information") belong to the TECO Electronics (the "TECO") or are licensed to it. No licence is granted for the use of it other than for information purposes in connection with the products to which it relates. No licence of any intellectual property rights is granted. The Information is subject to change without notice and replaces all data sheets previously supplied. The Information supplied is believed to be accurate but the TECO assumes no responsibility for its accuracy or completeness, any error in or omission from it or for any use made of it. Users of this data sheet should check for themselves the Information and the suitability of the products for their purpose and not make any assumptions based on information included or omitted. Liability for loss or damage resulting from any reliance on the Information or use of it (including liability resulting from negligence or where the TECO was aware of the possibility of such loss or damage arising) is excluded. This will not operate to limit or restrict the TECO's liability for death or personal injury resulting from its negligence.

TOLERANCES:

UNLESS OTHERWISE SPECIFIED, DIMENSIONS ARE FOR REFERENCE PURPOSES ONLY.

DRAWN BY:	DATE
LEE	8/12/11
CHECKED BY:	DATE
WU	8/12/11
ARRPROVED BY:	DATE
	8/12/11

DRAWING TITLE: TBH-CR2032-Y SMT Type Coin Cell Holder for CR2020/CR2025/CR2032 Battery

SIZE	DWG NO.	ELECTRONIC FILE	REV
A			A
SCALE: NTS		U.O.M.: mm	SHEET: 1 OF 1