

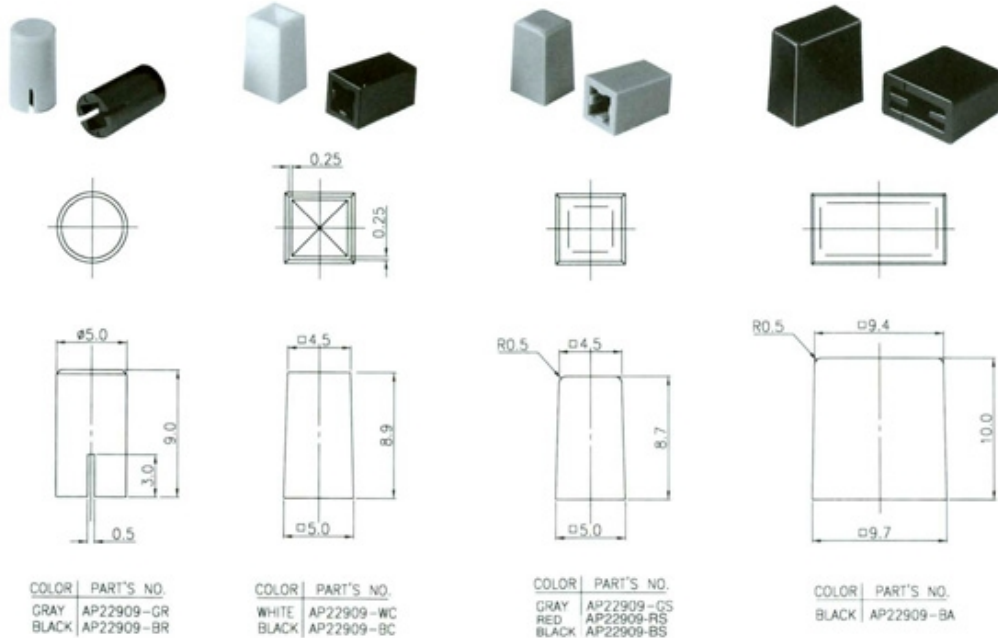
小直鍵開關

DICGU

MINIATURE PUSH BUTTON Switches

PS Series

● 上蓋圖 Button Detail

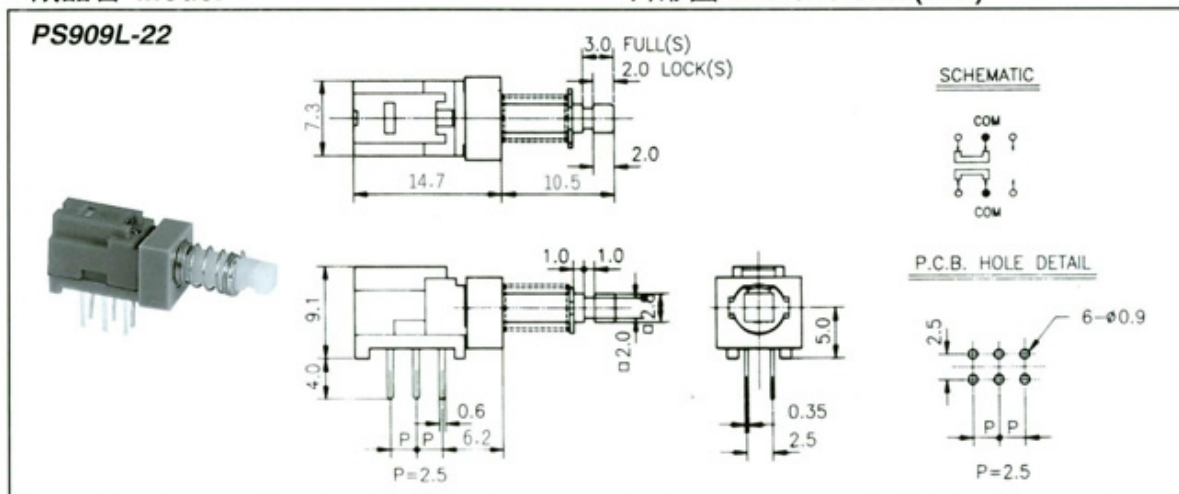


● 規格說明 Specification

Rating	: DC30V 0.1A	Mechanical Life	: 30,000 cycles
Insulation Resistance	: >100MΩ DC250V	Electrical Life	: 10,000 cycles
Withstand Voltage	: AC250V 1 minute	Ambient Temper. Used	: -20°C to + 70°C
Contact Resistance	: < 100 mΩ	Ambient Humidity Used	: < 85% RH
Soldering Temper.	: 250° C max. 3 sec	Operating force	: 100 to 400gf

● 成品名 Model

● 外形圖 Dimensions (mm)



小直鍵開關

DICGU

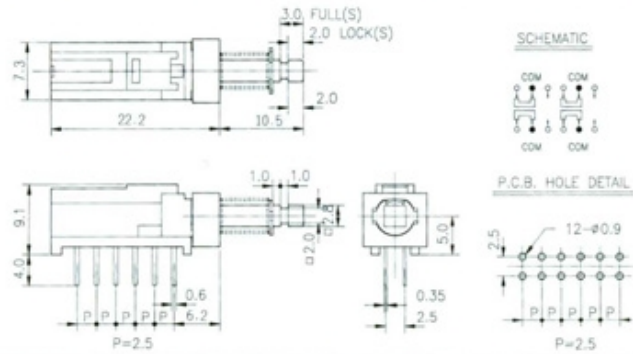
MINIATURE PUSH BUTTON Switches

PS Series

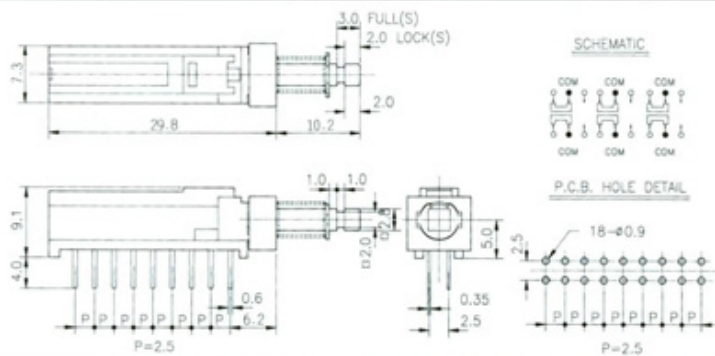
● 成品名 Model

● 外形圖 Dimensions (mm)

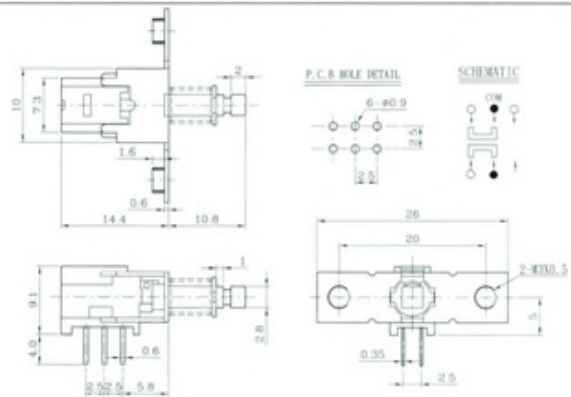
PS909L-42



PS909L-62



PS909L-22-B P=20mm
DC 30V 0.1A



PS909L-22-G
DC 30V 0.1A

