

# GPS+GLONASS Active Antenna



**Part Number:** G-1RF8

**50\*38\*18mm**  
**RoHS/RoHS II Compliant**

## Features

- High Gain
- Compact Size and Low Profile
- Pin Type
- Customization Available
- IP66 rated
- RoHS Compliance

## Applications

- Automotive navigation
- PND
- Surveying equipment
- Healthcare monitoring devices
- Laptop

## Electrical Specifications

Item	Specifications	
Antenna	Center Frequency	1575MHz ~ 1615MHz
	Band Width	CF±5MHz
	Polarization	RHCP
	Gain	5 DBi
	VSWR	≤1.5
	Impedance	50 Ω
LNA	Boost Gain	28±2DB
	Noise Figure	< 1.5
	Filter Insertion Loss	< 3 DB
	Ex-band Attenuation	35 DB@CF±50 MHz / 50 DB@CF±100 MHz
	Supply Voltage	3.3V~5V DC
	Current Consumption	10~20 mA
	VSWR	≤2.0

## Mechanical & Environmental Specifications

Parameters	Specifications	Notes
Cable	RG174(5M)	
Connector	SMA	
Operating Temperature	-40°C ~ +85°C	
Relative Humidity	Up to 75%	
Vibration	10 to 55Hz with 1.5mm amplitude 2hours	
Environmentally Friendly	ROHS Compliant	

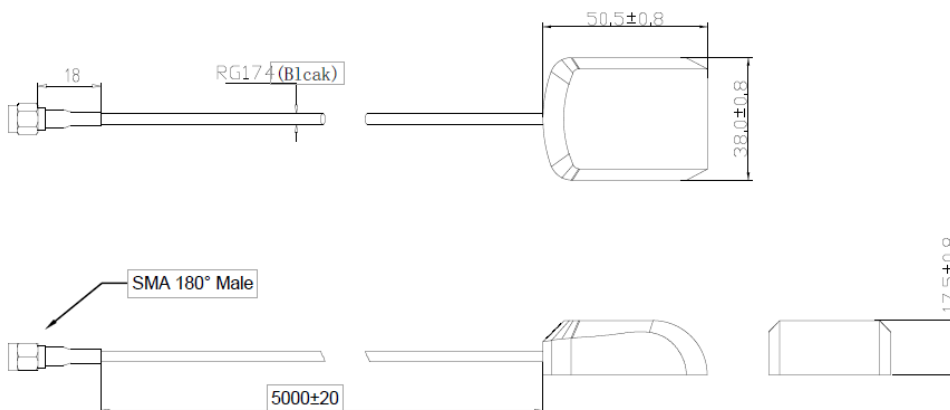
# GPS+GLONASS Active Antenna



Part Number: G-1RF8

50\*38\*18mm  
RoHS/RoHS II Compliant

## Product Dimensions & Pictures



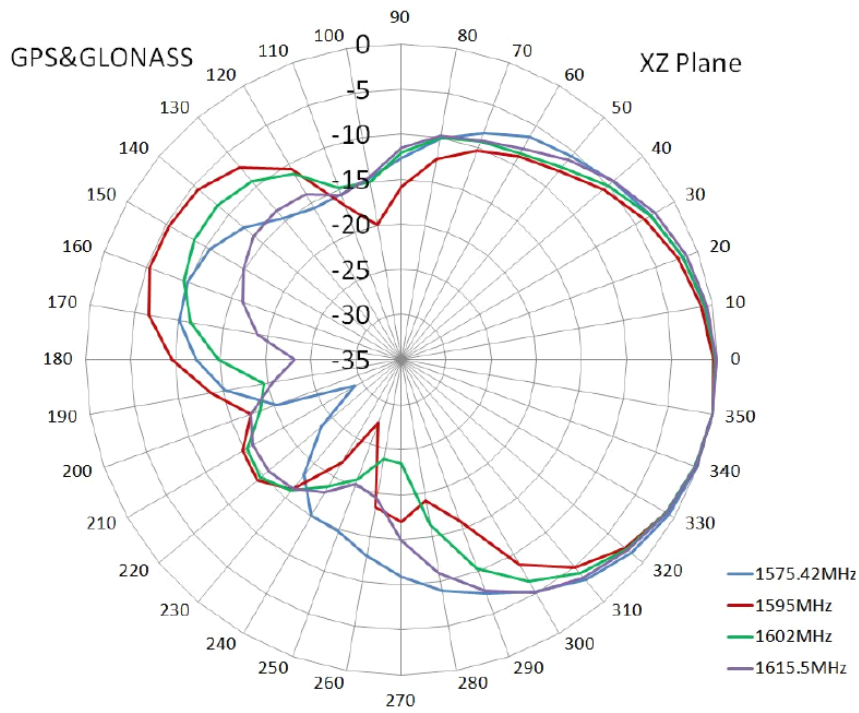
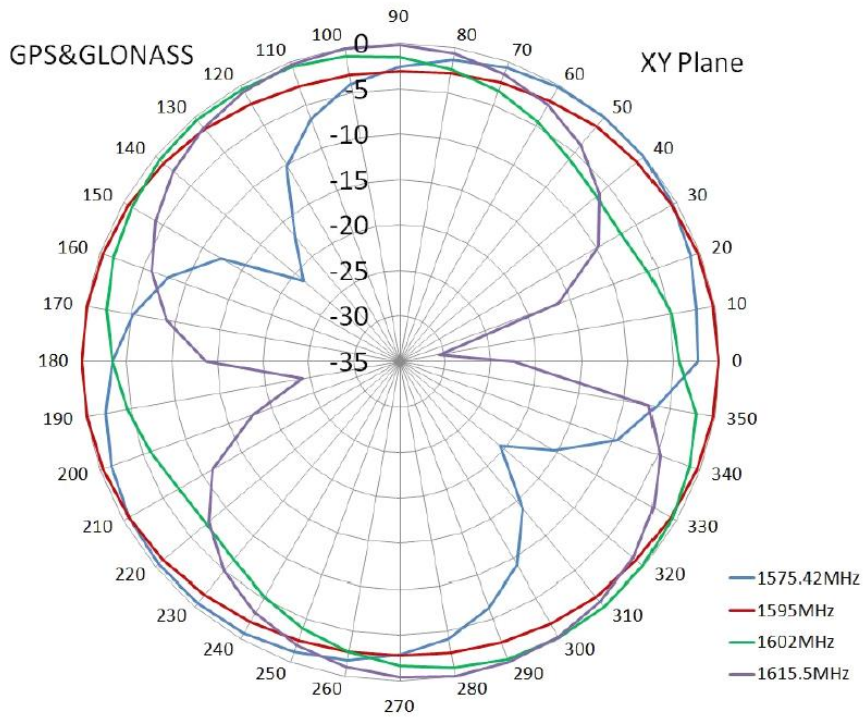
# GPS+GLONASS Active Antenna



Part Number: G-1RF8

50\*38\*18mm  
RoHS/RoHS II Compliant

## Radiation Pattern

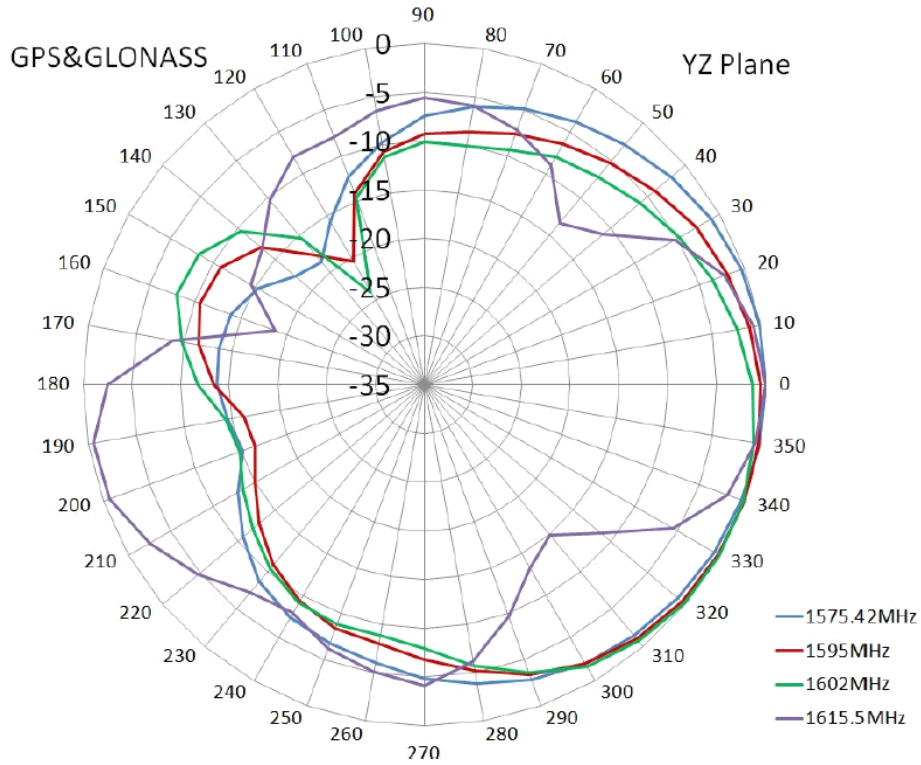


# GPS+GLONASS Active Antenna



Part Number: G-1RF8

50\*38\*18mm  
RoHS/RoHS II Compliant



## GPS+GLONASS Active Antenna



**Part Number:** G-1RF8

**50\*38\*18mm**  
**RoHS/RoHS II Compliant**

### **Packaging**

---

**TBD**

### **Caution:**

- (1) Do not apply excess mechanical stress to the component body or terminations. Do not attempt to re-form or bend the components as this will cause damage to the component.
- (2) Do not expose the component to open flame.
- (3) This specification applies to the functionality of the component as a single unit. Please ensure the component is thoroughly evaluated in the application circuit.