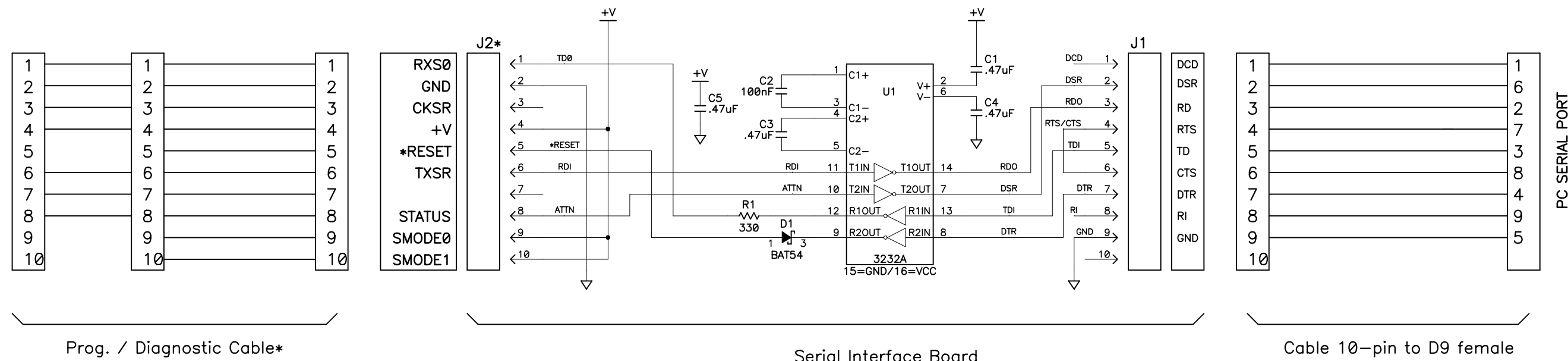


REVISION HISTORY			REVISION APPROVAL			
REV	ECO	DESCRIPTION	PROJECT ENGINEER	APPROVAL DATE	DOCUMENT CONTROL	APPROVAL DATE
A	E11523	INITIAL RELEASE OF SCHEMATIC	EP	5/14/01	KIS	5/14/01
B	E11691	CORRECT DE9 PINOUT	EP	10/5/01	KIS	10/4/01
C	E11816	ADD 3.3V CAPABILITY AND RED TUBING	DM	1/24/02	KIS	1/24/02
D	E12100	ADD INFORMATION ABOUT SECOND CABLE VERSION.	<del>DM</del>	10/30/02	<del>KIS</del>	10/23/02



\* THE STANDARD VERSION OF THIS CABLE HAS 2 MM CONNECTIONS AT J2 AND AT THE END OF THE PROG/DIAGNOSTIC CABLE. THIS VERSION IS WRAPPED WITH RED HEAT SHRINK. THE SMALLER PITCH VERSION USES 1.27 MM CONNECTIONS AND BLUE HEAT SHRINK.

- NOTES: UNLESS OTHERWISE SPECIFIED;
1. ALL RESISTOR VALUES ARE IN OHMS, 1/10W, 5%
  2. ALL CAPACITORS ARE 50VDC OR HIGHER.
  3. THE ORIGINATION SOURCE OF A VOLTAGE IS REPRESENTED BY (VCC), AND ALL REFERENCES TO THAT VOLTAGE ARE REPRESENTED BY (VCC).

THIS SCHEMATIC REPLACES THE RABBIT SIB SCHEMATIC, 090-0085.

APPEND THE FOLLOWING DOCUMENTS WHEN CHANGING THIS DOCUMENT:	DRAWING CONTENT:		TITLE		
	DRAWN BY: (INITIAL RELEASE) E. PEAK	14MAY01	SCHEMATIC DIAGRAM RABBIT PROG. CABLE 3.3V - 5.0V		
	REVISED BY: K.SCHALLER	10/23/02			
	APPROVALS: INITIAL RELEASE				
	PROJECT ENGINEER: ERIC PEAK	5/14/01	SIZE <b>B</b>	DWG NO. <b>090-0128</b>	
	ENGINEERING MANAGER: R MATTHEWS	5/14/01			
	SIGNATURES	DATE	SCALE NONE	RELEASE DATE 5/14/01	SHEET 1 OF 1

