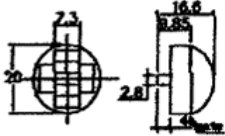
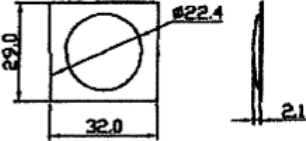
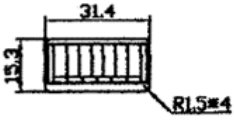
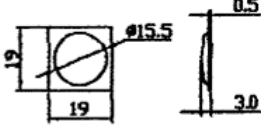
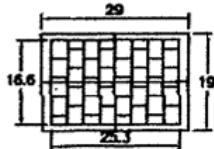
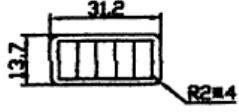

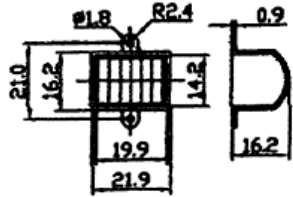
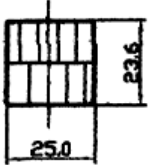


PIR LENS
FOCUS: 7.6mm~12mm

NO.	DIMENSION	FOCUS	ANGLE	LENGTH
7709-1		7.6 M/M	90°	5 M
8306-1		10 M/M	89.8°	3 M
8721-1		10 M/M	138°	10 M
8307-1		12 M/M	60°	3 M
8403-1		12 M/M	75.4°	4 M

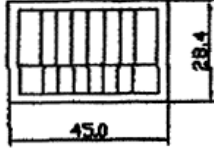
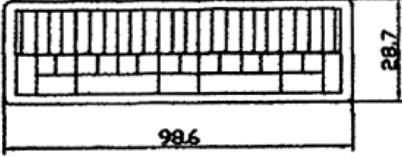
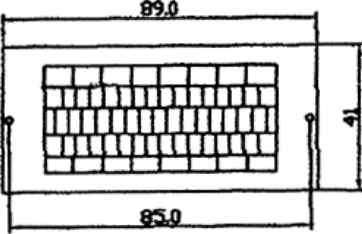
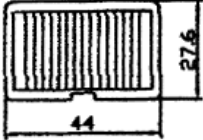
PIR LENS

FOCUS: 12mm~15mm

NO.	DIMENSION	FOCUS	ANGLE	LENGTH
8722-1		12 M/M	97°	8 M
8301-2		13.9 M/M	50°	3 M
8205-1		15 M/M	77.9°	6 M
8901-1		15 M/M	88°	10 M

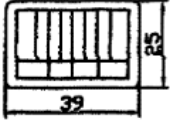
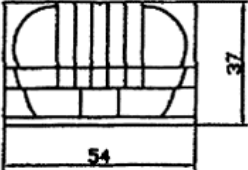
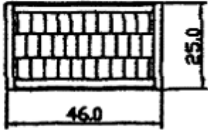
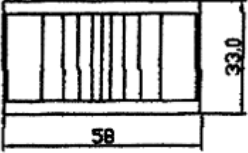
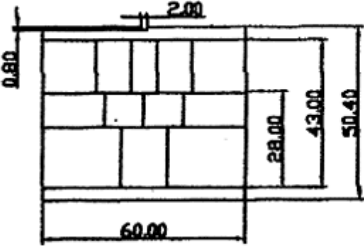
PIR LENS

FOCUS: 16mm~17mm

NO.	DIMENSION	FOCUS	ANGLE	LENGTH
8202-1		16 M/M	104°	12 M
8703-1		16.5 M/M	200°	15 M
8501-1		16.6 M/M	180°	12 M
8718-1		17 M/M	124°	8 M

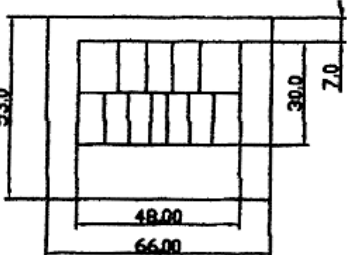
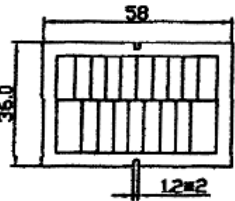
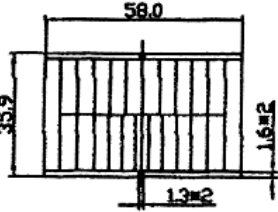
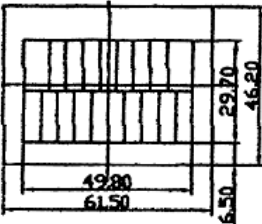
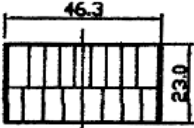
PIR LENS

FOCUS: 20mm~21.7mm

NO.	DIMENSION	FOCUS	ANGLE	LENGTH
7803-1		20 M/M	89°	7 M
8729-1		20 M/M	79°	12 M
8309-1		20.6 M/M	106°	12 M
7810-1		21.1 M/M	141°	12 M
7601-1		21.7 M/M	110°	27M

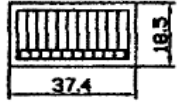
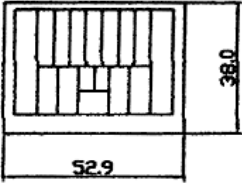
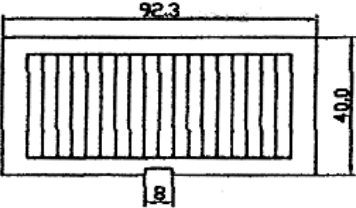
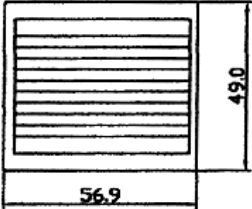
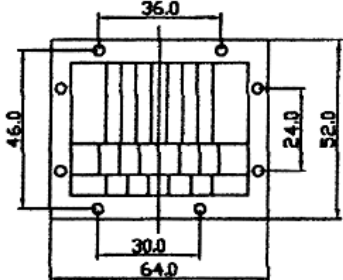
PIR LENS

FOCUS: 21.7mm~23.5mm

NO.	DIMENSION	FOCUS	ANGLE	LENGTH
7701-1		21.7 M/M	83.2°	10 M
7805-1		22 M/M	108.3°	12 M
8502-1		22 M/M	117°	12 M
7704-1		23 M/M	103°	12 M
7804-1		23.5 M/M	100°	10 M

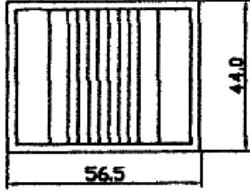
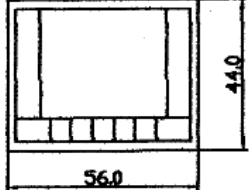
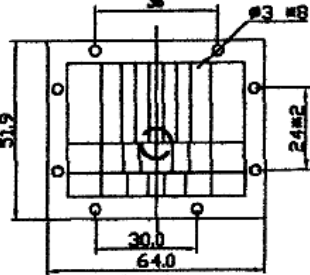
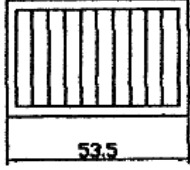
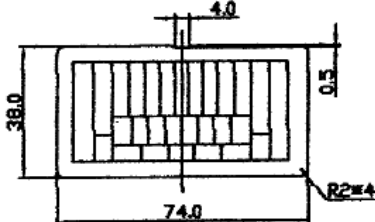
PIR LENS

FOCUS: 24mm~25mm

NO.	DIMENSION	FOCUS	ANGLE	LENGTH
8727-1		24 M/M	80.5°	9 M
8709-1		24.5 M/M	97.6°	12 M
7707-1		25 M/M	104.6°	12 M
7809-1		25 M/M	7.7°	12 M
7903-1		25 M/M	85.7°	12 M

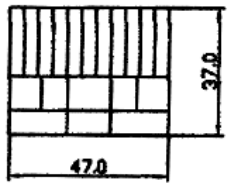
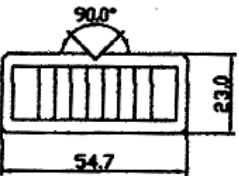
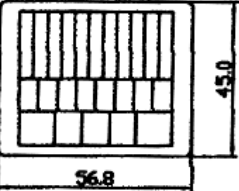
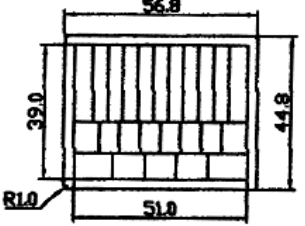
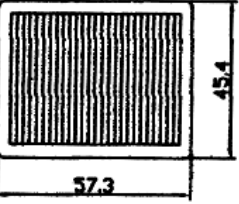
PIR LENS

FOCUS: 25mm

NO.	DIMENSION	FOCUS	ANGLE	LENGTH
8203-1		25 M/M	134°	12 M
8204-1		25 M/M	80°	40 M
8506-1		25 M/M	94.7°	12 M
8719-1		25 M/M	98°	10 M
8745-2		25 M/M	163°	10 M

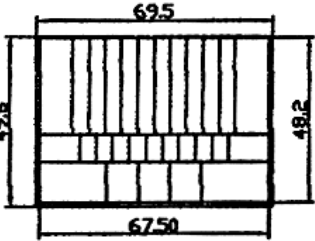
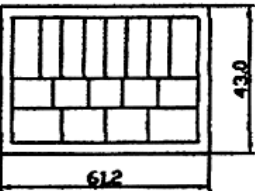
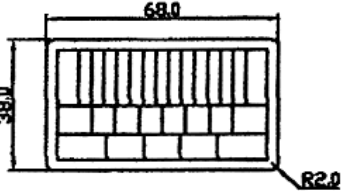
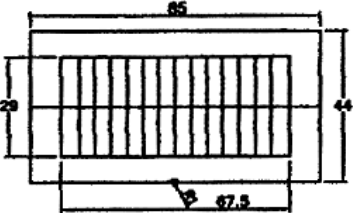
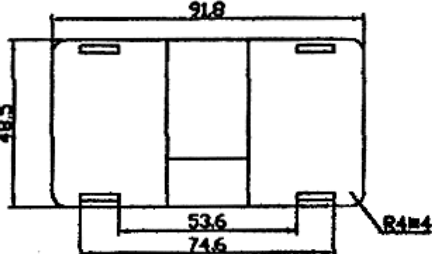
PIR LENS

FOCUS: 25mm~29.7mm

NO.	DIMENSION	FOCUS	ANGLE	LENGTH
8760-1		25 M/M	77.5°	12 M
8708-1		28 M/M	75.6°	10 M
7807-1		29.3 M/M	79.8°	10 M
7708-1		29.7 M/M	79.8°	10 M
7808-1		29.7 M/M	100°	12 M

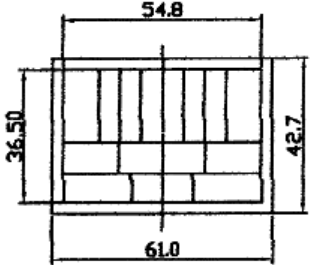
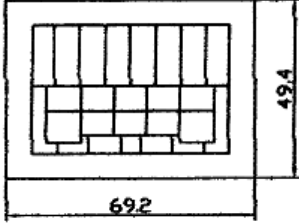
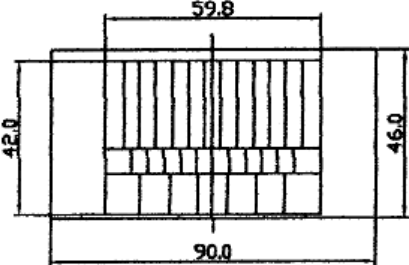
PIR LENS

FOCUS: 30mm

NO.	DIMENSION	FOCUS	ANGLE	LENGTH
7706-1		30 M/M	102.3°	28 M
7801-1		30 M/M	84°	10 M
8001-1		30 M/M	120°	10 M
8747-1		30 M/M	119°	11 M
8757-1		30 M/M	5.2°	27 M

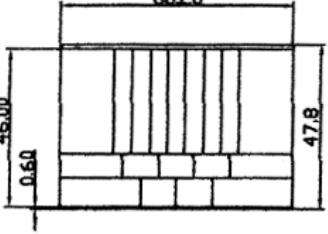
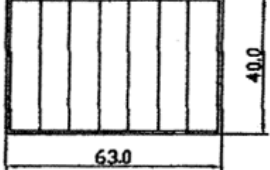
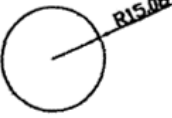
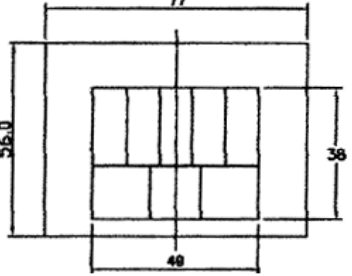
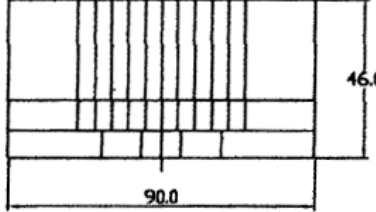
PIR LENS

FOCUS: 30.5mm~31.6mm

NO.	DIMENSION	FOCUS	ANGLE	LENGTH
7703-1		30.5 M/M	83°	24M
8009-1		30.5 M/M	90°	24M
7705-1		31.6 M/M	103°	12 M

PIR LENS

FOCUS: 32mm~35mm

NO.	DIMENSION	FOCUS	ANGLE	LENGTH
7702-1		32 M/M	82°	12 M
7802-1		32 M/M	140°	28 M
8007-2		32 M/M	4.7°	12 M
7806-1		33 M/M	70°	35 M
9303-1		35 M/M	91°	20 M

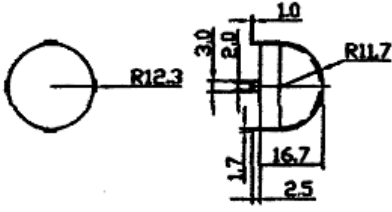
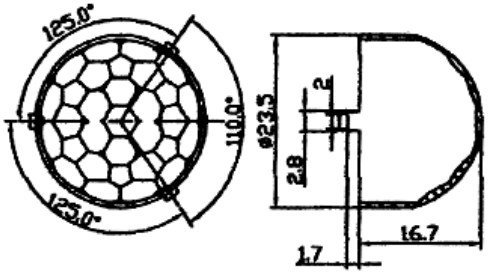
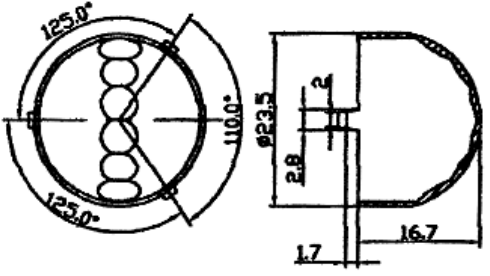
PIR LENS CEILING TYPE

FOCUS: 6.6mm~12mm

NO.	DIMENSION	FOCUS	ANGLE	LENGTH
9301-1		6.6 M/M	360°	6 M
9202-1		7.7 M/M	360°	10 M
8891-1		10.5 M/M	360°	6 M
9402-1		10.5 M/M	360°	8 M
8002-1		12 M/M	100°	5 M

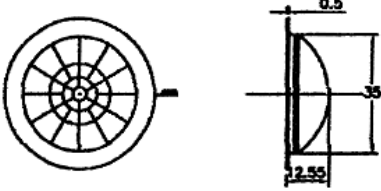
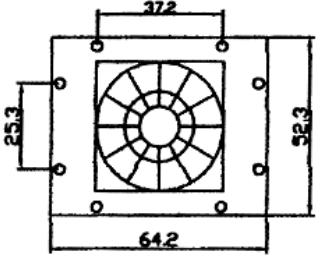
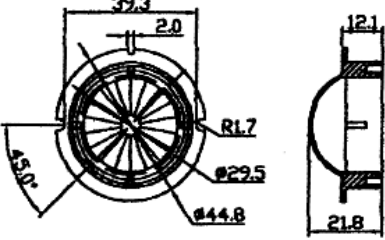
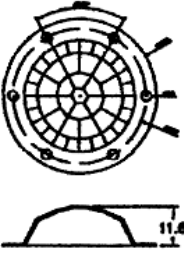
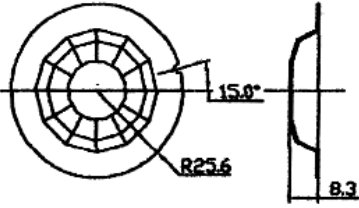
PIR LENS CEILING TYPE

FOCUS: 12mm

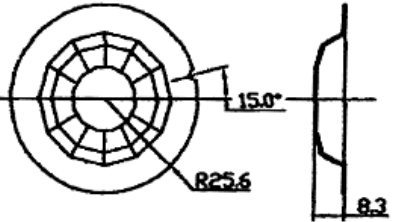
NO.	DIMENSION	FOCUS	ANGLE	LENGTH
8003-1		12 M/M	100°	5 M
9002-1		12 M/M	360°	9 M
9002C		12 M/M	118°	9 M

PIR LENS CEILING TYPE

FOCUS: 14mm~19mm


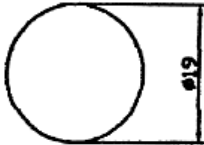

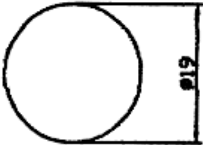
NO.	DIMENSION	FOCUS	ANGLE	LENGTH
8605-1		14 M/M	360°	16 M
8102-1		15 M/M	360°	7 M
9015-1		16 M/M	360°	7 M
8603-1		17.5 M/M	360°	10 M
8604-1		19 M/M	360°	8 M

PIR LENS CEILING TYPE
FOCUS: 19mm

NO.	DIMENSION	FOCUS	ANGLE	LENGTH
8724-1		19 M/M	360°	7 M


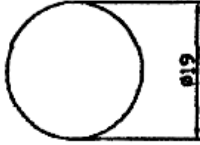


THERMOPILE LENS

FOCUS: 10mm~15mm

NO.	DIMENSION	FOCUS	Distance: Dia. of Spot
F10D11		10 M/M	16.7
F10D19		10 M/M	16.7
F15D11		15 M/M	25.5
F15D19		15 M/M	25.5

THERMOPILE LENS

FOCUS: 20mm~25mm

NO.	DIMENSION	FOCUS	Distance: Dia. of Spot
F20D11		20 M/M	33.9
F20D19		20 M/M	33.9
F25D11		25 M/M	42.1
F25D19		25 M/M	42.1