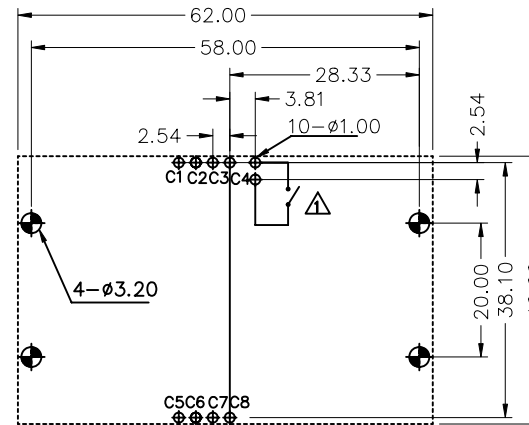
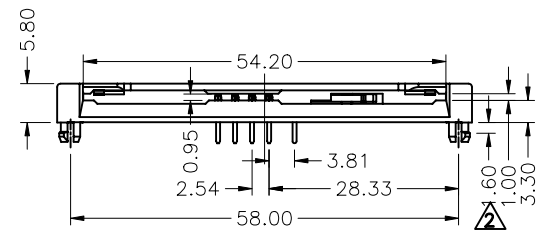
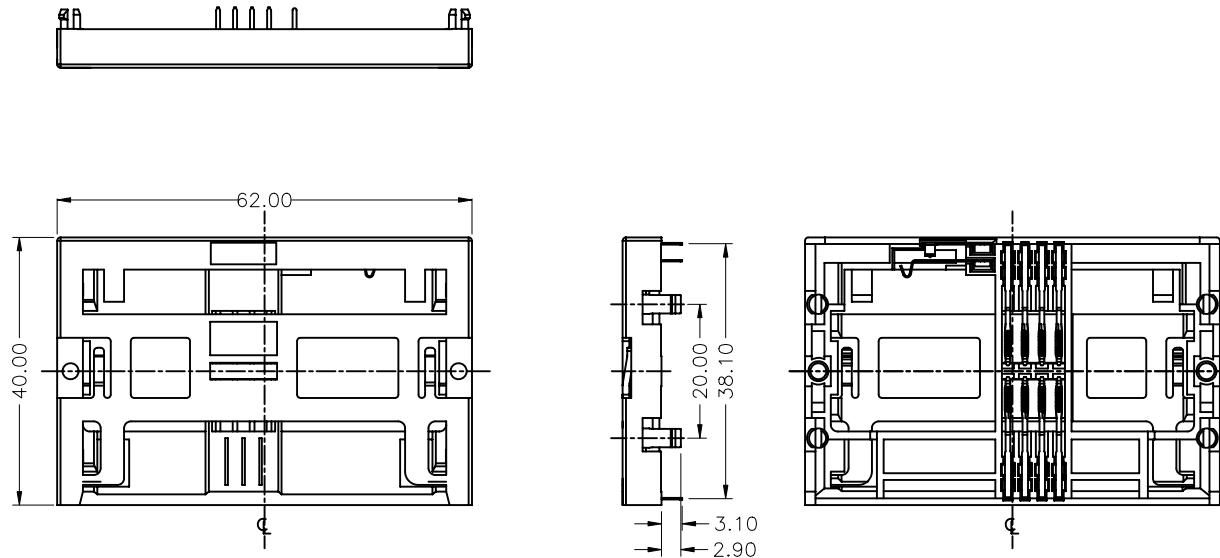
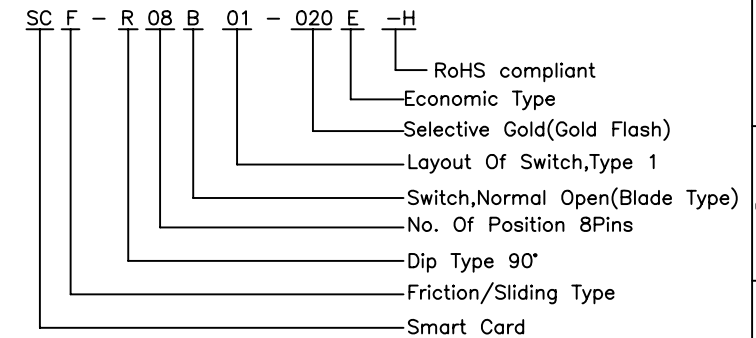


Specifications :

1. General Information
  - . Contact Principle: Friction Technology
  - . Mounting Type: Dip Type
  - . Switch: Blade Contact, Normal Open
  - . Durability: Insert And Withdraw Card For 300,000 Cycles At Maximum Rate Of 600 Cycles Per Hours
  - . Material:
    - Data Contact: Copper Alloy
    - Insulator: Thermoplastic, UL94V-0
  - . Plating:
    - Gold Plated On Contact Area
    - Tin Plated On Terminal Area
2. Electrical Specification
  - . Contact Resistance: 50m Ohms Max.
  - . Insulator Resistance: 1000M Ohms Min.
  - . Dielectric Withstanding Voltage: 500V AC R.M.S.Min(Sea Level)
  - . Rating Voltage: 30V AC
  - . Current Rating: 1A Max, 10uA Min.
3. Mechanical Specification
  - . Card Insertion Force: 15N Max.
  - . Card Withdrawal Force: 1N Min.
  - . Contact Force : 0.2N~0.6N
  - . Contact Retention Force : 0.3kgf Min.
4. Environmental Specification
  - . Operating Temperature: -20°C~+85°C
  - . Operating Humidity: 10%~95% RH
  - . Solderability: Wave Soldering : 245°C 5 Sec Max.  
Manual Soldering: 360°C 3 Sec Max.
5. RoHS compliant



Reference P.C.B. Layout(Tolerance: ±0.10mm)

**AUK** A MEMBER OF AUK GROUP  
**太聯事業股份有限公司**  
**AUK CONTRACTORS CO., LTD.**

CATEGORY Smart Card/Sim Card		APPROVED BY MEI		UNLESS OTHERWISE SPECIFIED TOLERANCES ARE .x ±0.38 .xx ±0.25 ANG. ±1°
PART No. SCF-R08B01-020E-H		CHECKED BY CATHY		
DRAWING No. SCF-R08B01-020E-H		DRAWING BY YUEYU		
SCALE	NONE	REV.	A2	UNIT mm

NO.	REV.	REVISIONS	CHK	DATE
△	A2	Added Dimension	YUEYU	11/04/2010
△	A1	Marked △ Was Changed	YUEYU	07/27/2010
△	A0	NEW RELEASE	YUEYU	06/25/2010