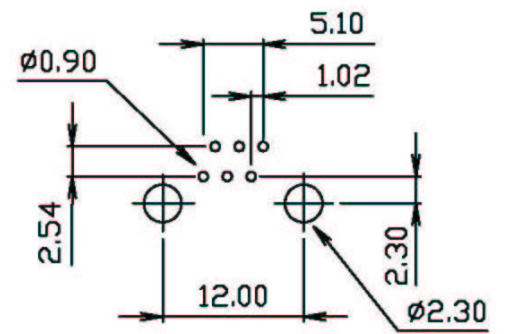
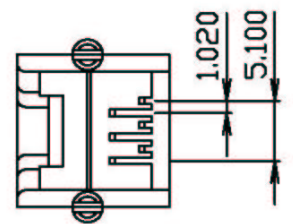
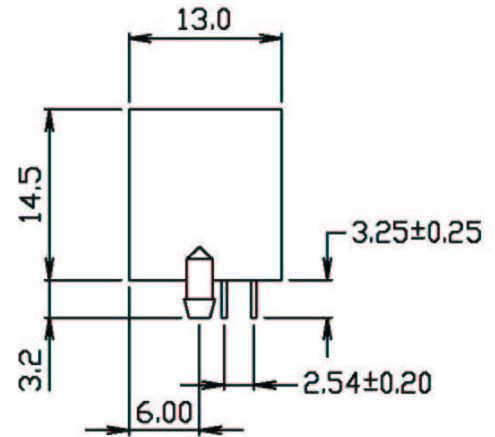
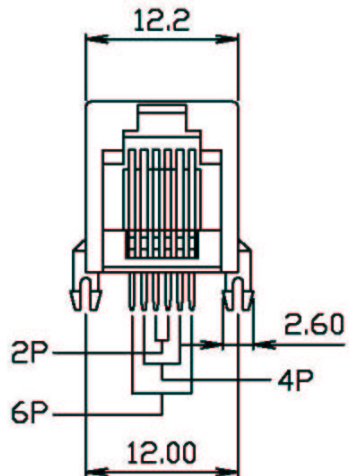


MATERIAL: HOUSING-PBT POLYESTER UL94V-0
 MIXED GLASS FIBER.
 STANDARD COLOR-GRAY.
 CONTACTS-0.45mm DIAMETER PHOS-BRONZE
 PLATED WITH HARH GOLD.
 CAVITY CONFIRMS TO FCC RULES AND REGULATIONS
 PART68,SUBPART F.



PC Board Layout

| | | | | | |
|-------------------------|--|---|---|------------------|--------------------|
| DO NOT SCALE DRAWING | TOLERANCES UNLESS OTHERWISE NOTED | INCH | MM | DR. M.L.HUANG | DATE SEP-14 '00 |
| THIRD ANGLE PROJECTION | LINEAR $\frac{\text{MM}}{\text{INCH}}$ | $00 \pm .01$ $000 \pm .005$ $0000 \pm .002$ | 0.0 ± 0.25 0.00 ± 0.13 0.000 ± 0.05 | CK'D M.CHANG | SEP-14 '00 |
| MM INCH | ANGLE $\pm 0^\circ 30'$ | RADII | $+ 0.40$ $- 0.15$ | APP'D | |

| | |
|------------------|--------------------|
| DR. M.L.HUANG | DATE SEP-14 '00 |
| CK'D M.CHANG | SEP-14 '00 |
| APP'D | |

| | |
|------------------|--------------------|
| DR. M.L.HUANG | DATE SEP-14 '00 |
| CK'D M.CHANG | SEP-14 '00 |
| APP'D | |

| | |
|------------------|--------------------|
| DR. M.L.HUANG | DATE SEP-14 '00 |
| CK'D M.CHANG | SEP-14 '00 |
| APP'D | |

| | | | | | |
|--|------|-----------|------|-------|--|
| 浚江企業有限公司 JUAN CHANG ENTERPRISE CO., LTD | | | | | |
| TITLE 6POSITION SHIELDLESS FLANGELESS MINI LOW PROFILE, SIDE ENTRY PCB JACK | | | | | |
| SCALE | SIZE | DWG.NO. | REV. | SHEET | |
| | | 5254-6P6C | 1 | 1 | |