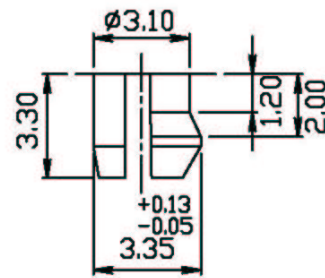
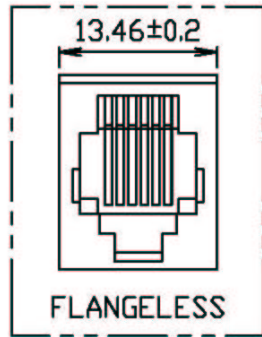
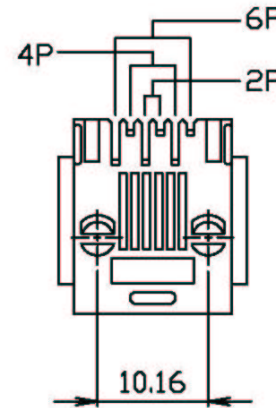
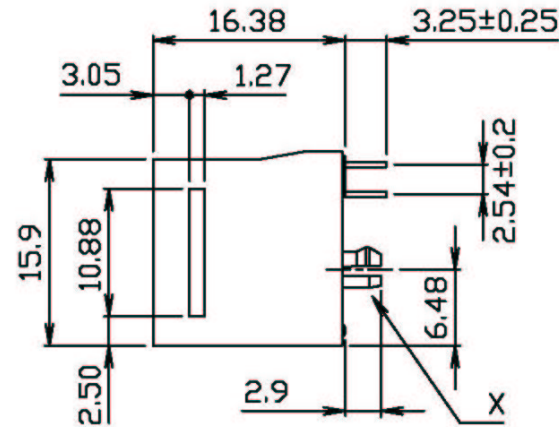
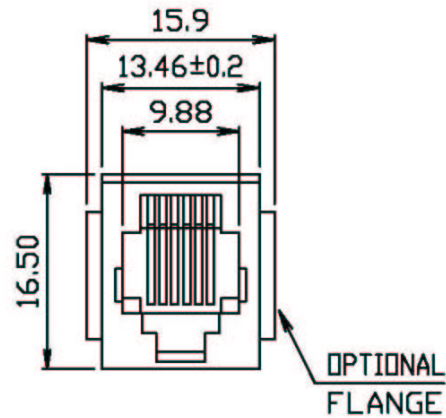
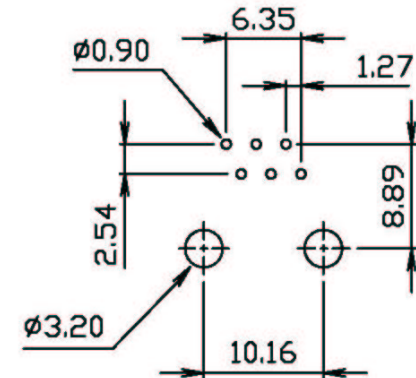


MATERIALS:

- HOUSING-PBT POLYESTER UL94V-0 MIXED GLASS FIBER, STANDARD COLOR-BLACK
 - CONTACTS-0.45mm DIA. ROUND PHOS-BRONZE PLATED WITH HARD GOLD.
- CAVITY CONFIRMS TO FCC RULES AND REGULATIONS PART 68,SUBPART F.



DETAIL X



PC Board Layout

DO NOT SCALE DRAWING		TOLERANCES UNLESS OTHERWISE NOTED		INCH	MM	DR. <i>M.L.HUANG</i>	DATE APR-26 '02	浚江企業有限公司 JUAN CHANG ENTERPRISE CO., LTD				
THIRD ANGLE PROJECTION		LINEAR	$\frac{\text{MM}}{\text{INCH}}$	00 ± .01 000 ± .005 0000 ± .002	0.0 ± 0.25 0.00 ± 0.13 0.000 ± 0.05	CK'D <i>M.CHANG</i>	APR-26 '02	TITLE 6POSITION 180° (SPLIT PEGS) TOP ENTRY PCB JACK				
MM INCH	ANGLE ± 0° 30'	RADII		+ 0.40 - 0.15	APP'D <i>W.J.YANG</i>			SCALE	SIZE	DWG.NO. 5366-6P6C	REV. 4	SHEET 1