



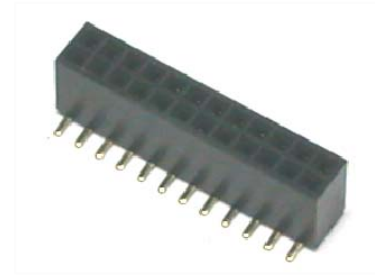
1.27x1.27mm Female Header SMT Type H=4.4mm

MATERIAL

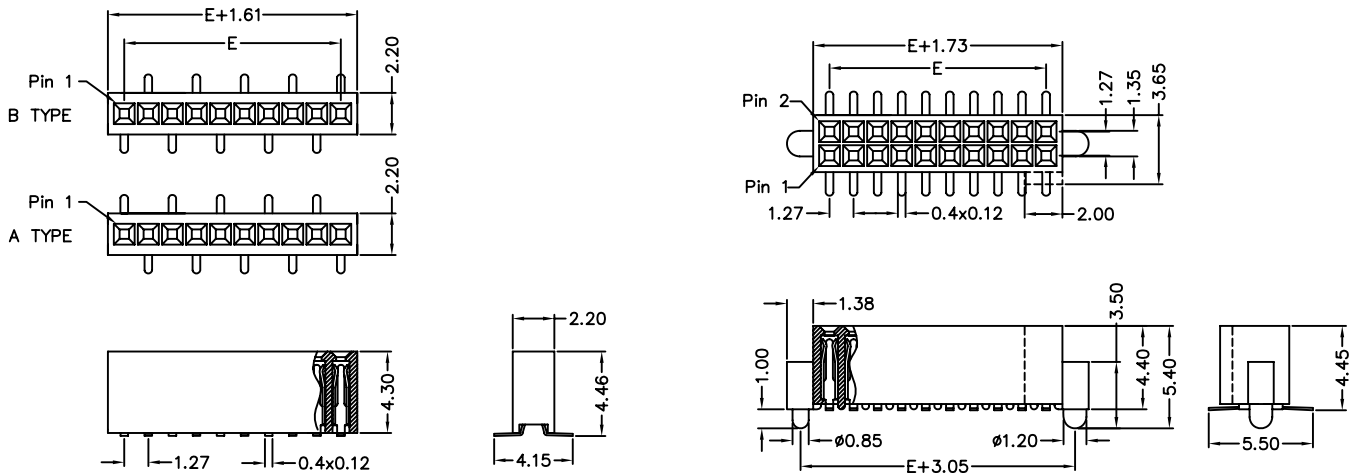
Insulator : High Temperature Polyester
Contact Pin : Phosphor Bronze

SPECIFICATION

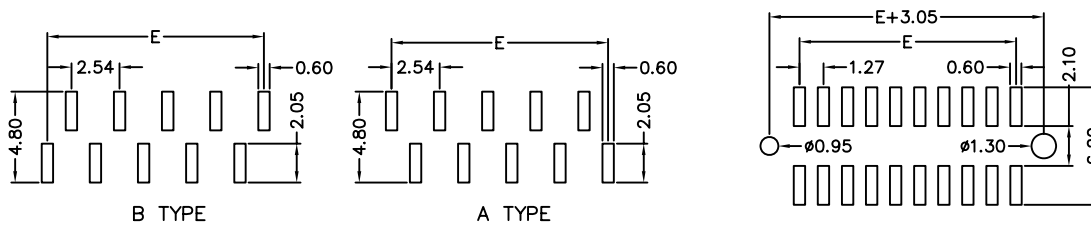
Current Rate : 1 AMP
Insulation Resistance : 5000MΩMin. at DC 500V
Contact Resistance : 20mΩMax. at DC 100mA
Operation Temperature : -40°C to + 105°C



Detail Dimensions



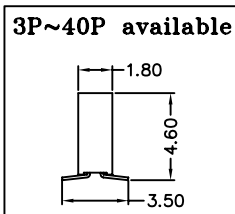
Recommended P.C.B Layout



Order Information

638-x x - xx G B xx
1 2 3 4

- 7: Green Product
- 9: Green Product High Temp
- 1: Single row (3~36P)
- 2: Double rows
3. No. of contacts per row
4. Pinrex internal code



Standard Parts	Type
638-x1-xxGB01	B Type
638-x1-xxGB02	A Type
638-x2-xxGB00	w/o posts,bump
638-x2-xxGB01	with posts
638-x2-xxGB03	with bump
638-x2-xxGB04	with posts,bump

Number Of Contacts

Unit: mm

Poles	DIM E	Poles	DIM E	Poles	DIM E	Poles	DIM E	Poles	DIM E	Poles	DIM E	Poles	DIM E	Poles	DIM E
		8	8.89	15	17.78	22	26.67	29	35.56	36	44.45	43	53.34	50	62.23
3	2.54	9	10.16	16	19.05	23	27.94	30	36.83	37	45.72	44	54.61		
4	3.81	10	11.43	17	20.32	24	29.21	31	38.10	38	46.99	45	55.88		
5	5.08	11	12.70	18	21.59	25	30.48	32	39.37	39	48.26	46	57.15		
6	6.35	12	13.97	19	22.86	26	31.75	33	40.64	40	49.53	47	58.42		
7	7.62	13	15.24	20	24.13	27	33.02	34	41.91	41	50.80	48	59.69		
		14	16.51	21	25.40	28	34.29	35	43.18	42	52.07	49	60.96		