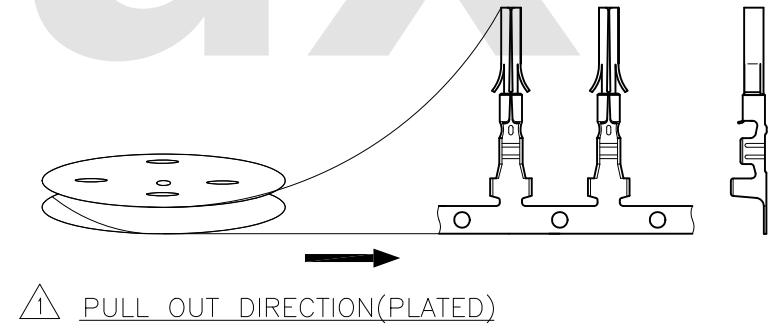


Wire Range	Insulation Diameter	Reel Q'ty
AWG #18~#22	3.00 (.118) MAX.	7,000 PCS


Ordering Code:

CP02 T03 1 B E S
 ① ② ③ ④ ⑤ ⑥

- ① Series No.
- ② Type: T03= AWG #18~#26
- ③ Plating: 1= 2.03 μ m(80 μ "") Min. Tin over 0.76 μ m(30 μ "") Nickel
- ④ Material: B= Brass
- ⑤ Plating method: E= Pre-tinned
- ⑥ Style: S= Receptacle



RoHS Compliant

SYM	NAME	DATE	REVISIONS	APPROVED BY:	DATE	UNIT: mm / inch	TITLE:	 瀚荃股份有限公司 CviLux Corporation
④						UNIT: mm / inch	CRIMP CLIP FEMALE TERMINAL	
③						TOLERANCE UNLESS OTHERWISE SPECIFIED	MATERIAL:	
②						.X ± 0.20/008 X' ± 1'	FINISH:	
①	Karen	6/17-15'	ECNT115140/ECRT115017	Eisley	6/23-15'	.XX ± 0.10/004 X' ±		DRAWING NO. CP0203SG PART NO. CP02T031BES
				Eisley	6/23-15'	.XXX ± 0.05/0.02 .XX' ±		SCALE 4 / 1 SHEET 1 OF 1

CIVILUX CORP
 2015.07.02
 ISSUED