

Material:

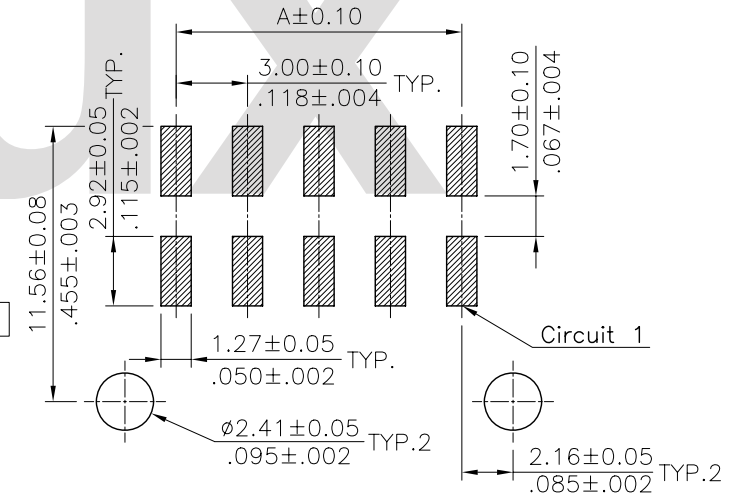
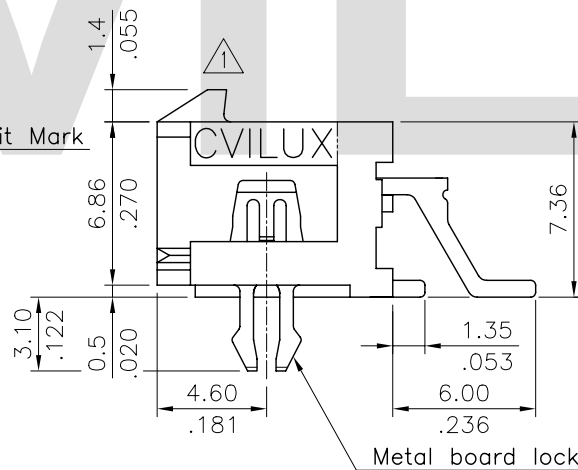
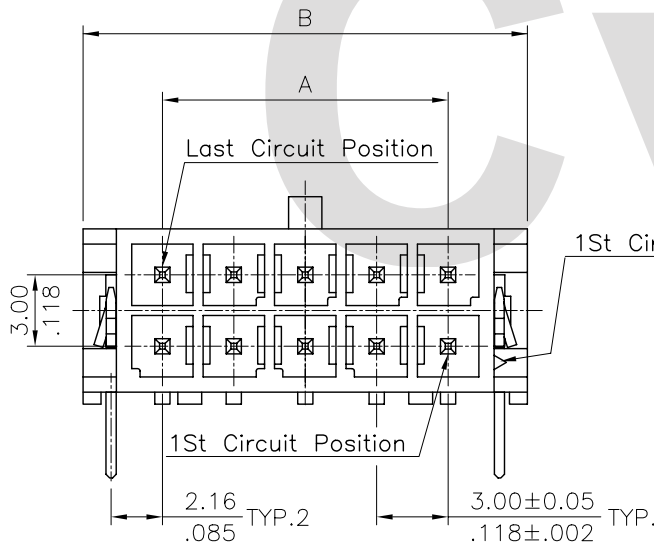
- \* Insulation: Nylon 6T UL 94V-0  
Color Black
- \* Contact: Brass

Ordering Code:

CP35 \*\* P \* H S 0  
① ② ③ ④ ⑤ ⑥ ⑦

CIRCUITS	DIM. A	DIM. B
2	—	6.7(.264)
4	3.00(.118)	9.7(.382)
6	6.00(.236)	12.7(.500)
8	9.00(.354)	15.7(.618)
10	12.00(.472)	18.7(.736)
12	15.00(.591)	21.7(.854)
14	18.00(.709)	24.7(.972)
16	21.00(.827)	27.7(1.091)
18	24.00(.945)	30.7(1.209)
20	27.00(1.063)	33.7(1.327)
22	30.00(1.181)	36.7(1.445)
24	33.00(1.299)	39.7(1.563)

- ① Series No.
- ② No. of Circuits: 02~24
- ③ Contact type: P= Plug
- ④ Contact plated:  
1= Tin Plated over Nickel  
A= Selective Gold Flash Plated over 1.27 $\mu$ m(50 $\mu$ ) Nickel  
B= Selective 0.38 $\mu$ m(15 $\mu$ ) Gold Plated over 1.27 $\mu$ m(50 $\mu$ ) Nickel  
C= Selective 0.76 $\mu$ m(30 $\mu$ ) Gold Plated over 1.27 $\mu$ m(50 $\mu$ ) Nickel
- ⑤ H= Right angle type
- ⑥ Mount type : S= SMT Type
- ⑦ Other options: 0= With metal board lock (Standard)



Recommended P.C. Board Layout

RoHS Compliant

SYM	NAME	DATE	REVISIONS	APPROVED BY:	DATE	UNIT: mm / inch	TITLE: 3.00mm PITCH RIGHT ANGLE SMT TYPE POWER CONN.	瀚荃股份有限公司 CviLux Corporation		
④								DRAWING NO. CP3507SG PART NO. CP35**P*HS0 SCALE 3 / 1 SHEET 1 OF 1		
③										
②	Sun	12/12-05	ECN05428	ENGINEER:	Eisley	12/28-05'				
①	Casey	08/12-05	ECR05064/ECN05274	CHECKED BY:	Alex	12/28-05'				
				APPROVED BY:	Alex	12/28-05'				

**CVILUX CORP.**  
2006.01.03  
**ISSUED**