

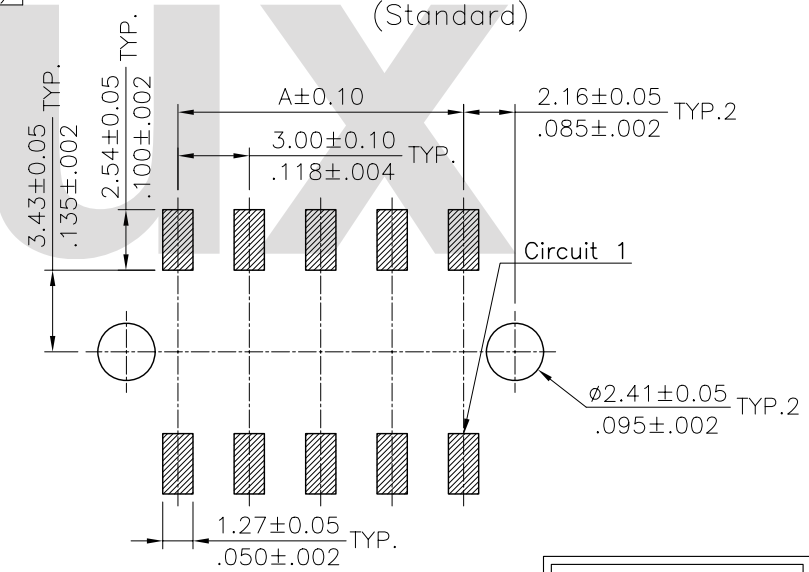
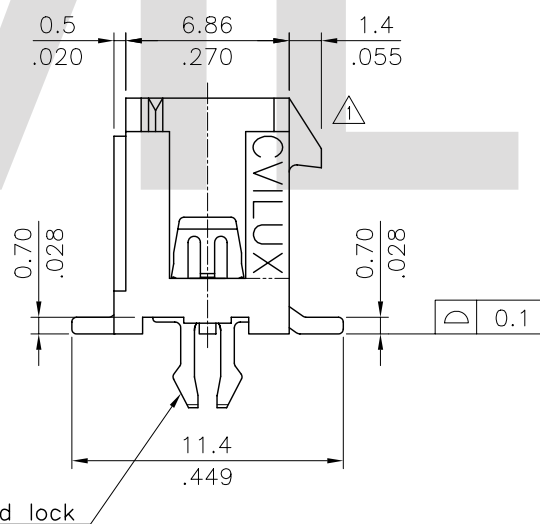
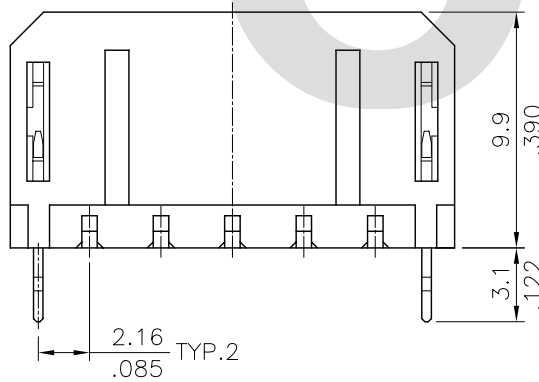
Material:
 * Insulation: Nylon 6T UL 94V-0
 Color Black
 * Contact: Brass

CIRCUITS	DIM. A	DIM. B
2		6.7(.264)
4	3.00(.118)	9.7(.382)
6	6.00(.236)	12.7(.500)
8	9.00(.354)	15.7(.618)
10	12.00(.472)	18.7(.736)
12	15.00(.591)	21.7(.854)
14	18.00(.709)	24.7(.972)
16	21.00(.827)	27.7(1.091)
18	24.00(.945)	30.7(1.209)
20	27.00(1.063)	33.7(1.327)
22	30.00(1.181)	36.7(1.445)
24	33.00(1.299)	39.7(1.563)

Ordering Code:

CP35 ** P * V S 0
 ① ② ③ ④ ⑤ ⑥ ⑦

- ① Series No.
- ② No. of Circuits: 02~24
- ③ Contact type: P= Plug
- ④ Contact plated:
 1= Tin Plated over Nickel
 A= Selective Gold Flash Plated over 1.27μm(50μ") Nickel
 B= Selective 0.38μm(15μ") Gold Plated over 1.27μm(50μ") Nickel
 C= Selective 0.76μm(30μ") Gold Plated over 1.27μm(50μ") Nickel
- ⑤ V= Straight
- ⑥ Mount type : S= SMT Type
- ⑦ Other options: 0= With metal board lock (Standard)



Recommended P.C. Board Layout

RoHS Compliant

④						DATE	UNIT: mm / inch	TITLE: 3.00mm PITCH STRAIGHT SMT TYPE POWER CONN.	 瀚荃股份有限公司 CviLux Corporation
③			DRAWN BY: Sun		12/15-05'	TOLERANCE UNLESS OTHERWISE SPECIFIED		MATERIAL:	
②	Sun	12/12-05'	ECN05428		ENGINEER: Eisley	12/28-05'	.X ± 0.30/.012 X' ± 1'		
①	Casey	08/12-05'	ECR05064/ECN05274		CHECKED BY: Alex	12/28-05'	.XX ± 0.20/.008 .X' ±	FINISH:	DRAWING NO. CP3510SG PART NO. CP35**P*VS0
SYM	NAME	DATE	REVISIONS		APPROVED BY: Alex	12/28-05'	.XXX ± 0.10/.004 .XX' ±		SCALE 3 / 1 SHEET 1 OF 1