

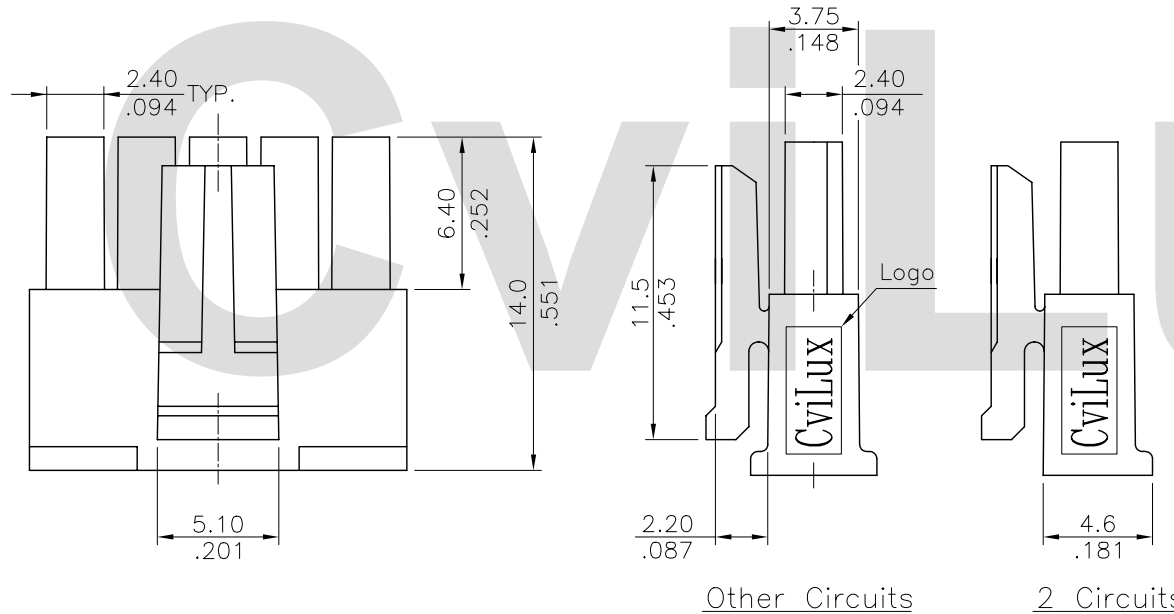
BACK VIEW

Material : PBT. UL 94V-0

Ordering Code:

CP35 ** S 001 S
 ① ② ③ ④ ⑤

- ① Series No.
- ② Connector: 02 to 12
- ③ Contact type: S = Receptacle
- ④ Color: 001 = Color Black
- ⑤ Option: S= Single Row



Circuits	Dimension	
	A	B
2	3.00(.118)	6.9(.272)
3	6.00(.236)	9.9(.390)
4	9.00(.354)	12.9(.508)
5	12.00(.472)	15.9(.626)
6	15.00(.591)	18.9(.744)
7	18.00(.709)	21.9(.862)
8	21.00(.827)	24.9(.980)
9	24.00(.945)	27.9(1.098)
10	27.00(1.063)	30.9(1.217)
11	30.00(1.181)	33.9(1.335)
12	33.00(1.299)	36.9(1.453)

④				<p>CVILUX CORP. 2006.08.15 ISSUED</p>		DATE	UNIT: mm / inch	TITLE: 3.00mm PITCH POWER CONNECTOR FEMALE HOUSING	<p>瀚荃股份有限公司 CviLux Corporation</p>
③			DRAWN BY: Sandy		08/03-06	TOLERANCE UNLESS OTHERWISE SPECIFIED	MATERIAL:	DRAWING NO. CP3547SA PART NO. CP35**S001S	
②			ENGINEER: Eisley		08/07-06	.X ±0.30/.012 X' ± 1'			
①			CHECKED BY: David		08/07-06	.XX ±0.20/.008 .X' ±	FINISH:	SCALE 3 / 1 SHEET 1 OF 1	
SYM	NAME	DATE	APPROVED BY: Alex		08/07-06	.XXX ±0.10/.004 .XX' ±			
			REVISIONS						