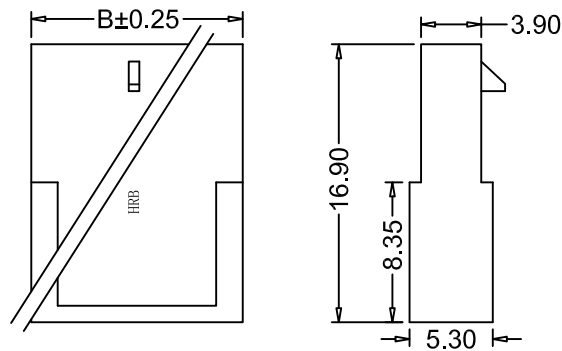
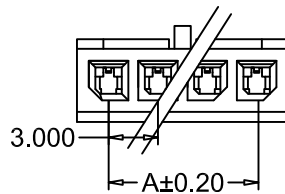
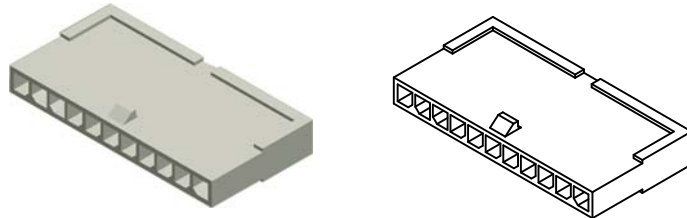


# 3.00mm(.118") Wire To Wire And Wire To Board Connector



## SPECIFICATIONS:

- Current Rating:5A AC,DC
- Voltage Rating:250V AC,DC
- Operating Temperature:V2:-25°C~+85°C  
V0:-40°C~+130°C
- Contact Resistance:10mΩ max.
- Insulation Resistance:1000MΩ Min.
- Withstanding Voltage:1500V AC/minute
- Material:Nylon66 UL94V-2/UL94V-0
- UL File No:E304945
- Terminal In Housing Retention Force Requirement:2.5kg (Min.)



## Ordering Information And Dimensions

Part NO.		Circuits	Dimensions		Part NO.		Circuits	Dimensions	
TYP UL94V-2	TYP UL94V-0		Dim:A	Dim:B	TYP UL94V-2	TYP UL94V-0		Dim:A	Dim:B
P3020-1x2-N-C	P3020-1x2-W-C	2	3.00	6.85	P3020-1x8-N-C	P3020-1x8-W-C	8	21.00	24.85
P3020-1x3-N-C	P3020-1x3-W-C	3	6.00	9.85	P3020-1x9-N-C	P3020-1x9-W-C	9	24.00	27.85
P3020-1x4-N-C	P3020-1x4-W-C	4	9.00	12.85	P3020-1x10-N-C	P3020-1x10-W-C	10	27.00	30.85
P3020-1x5-N-C	P3020-1x5-W-C	5	12.00	15.85	P3020-1x11-N-C	P3020-1x11-W-C	11	30.00	33.85
P3020-1x6-N-C	P3020-1x6-W-C	6	15.00	18.85	P3020-1x12-N-C	P3020-1x12-W-C	12	33.00	36.85
P3020-1x7-N-C	P3020-1x7-W-C	7	18.00	21.85					

