

5Watt, Single Output ,AC/DC Power Module Converter



FEATURES:

- Universal Input 90~264VAC
- High Efficiency Up To 79%
- Protection: Short Circuit /Overload/Over Voltage
- Fully Encapsulated Plastic Case
- Internal Input Filter
- 2 Years Warranty ● ROHS Compliant

G A 005 - S 03
A B C D E

A:Series
B:Package
C:Output Watt
D:Single(S)
E:Output Voltage

Specifications typical at TA=25°C, nominal input voltage and rated output current unless otherwise specified

Part Number	Output Wattage	Output Voltage	Output Current	Ripple & Noise	Efficiency
	(W)	(VDC)	(mA)	(mV) max(Note)	(TYP %)
GA005-S03	4.0	3.3	1200	100	72
GA005-S05	5.0	5	1000	100	75
GA005-S09	5.4	9	600	100	75
GA005-S12	6.0	12	500	100	75
GA005-S15	6.0	15	400	150	80
GA005-S24	6.0	24	250	240	82
GA005-S48	6.0	48	125	240	82

Input Specifications

Parameters	Conditions	Min	Typ	Max	Units
Rated Input Voltage	Vo,lo nom		100~240		Vac
Voltage Range	Vo,lo nom	AC in	90	264	Vac
		DC in	120	370	Vdc
Line frequency	Vi nom,lonom	47	50/60	63	Hz
Inrush Current	Io nom	Vi:115VAC		10	A
		Vi:230VAC		20	A
Input Current(Full load)	110mA Max.(115Vac) 70mA Max.(230Vac)				
Input Fuse	VDE/UL/CCC FUSE 2.5A/250V (Slow blow).				

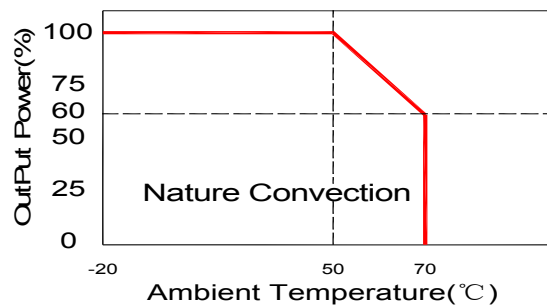
Output Specifications

Parameters	Conditions	Min	Typ	Max	Units
Output Voltage Accuracy	Vi nom,lo nom	3.3V,5V Models		±3	%
		12....48V Models		±2	%
Minimum Load	Vi nom	0			%
Line Regulation	Io nom,Vi min...Vi max		±1		%
Load Regulation	Vi nom, Io min...Io nom		±2		%
Transient Recovery time	Vi nom,lo nom = ←→0.5 Io nom		1,000		uS
Protection	Overload	Above 110% rated output power			
		Protection type: Recovers automatically after fault condition is removed			
	Short circuit	Recovers automatically after fault condition is removed			
Over Voltage	120%-150% rated output Voltage				
	Protection type:Zener diode clamp				

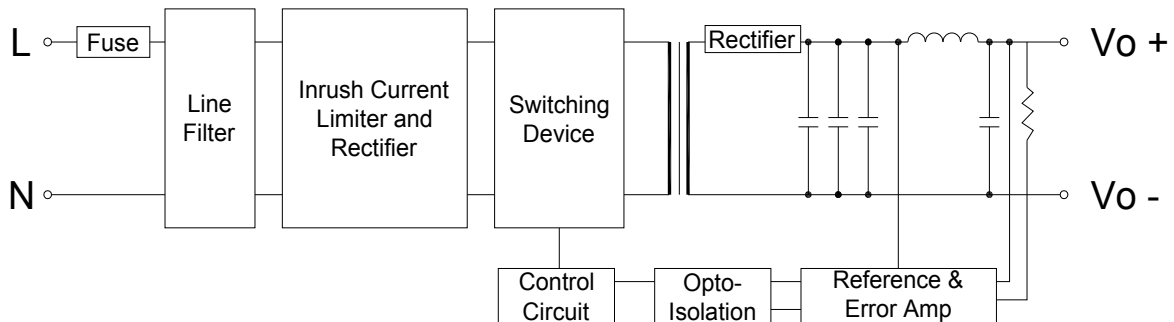
Note. Ripple & noise is measured by using 20 MHz bandwidth, measured with a 47uf paralleled with a high-frequency 0.47uf capacitor across each output by full load.

General Specifications					
Parameters	Conditions	Min	Typ	Max	Units
Switching Frequency	Vi nom,lo nom		65		KHz
Isolation Voltage	Input / Output	3KVac/ 5mA/5Secs			
Isolation Resistance	Input / Output,@500 Vdc	100			MΩ
Operating Temperature	Operating at Vi nom,lo nom	-20		+70	°C
Derating	Vi nom,lo nom+51 to 71°C			2	%/°C
Storage Temperature	Non Operational	-40		+85	°C
Relative Humidity	Vi nom,lo nom			95	% RH
Dimension	L50.80x W25.40 x H17.02mm L2.0x W1.0 x H0.67 inches				
Cooling	Free air convection				

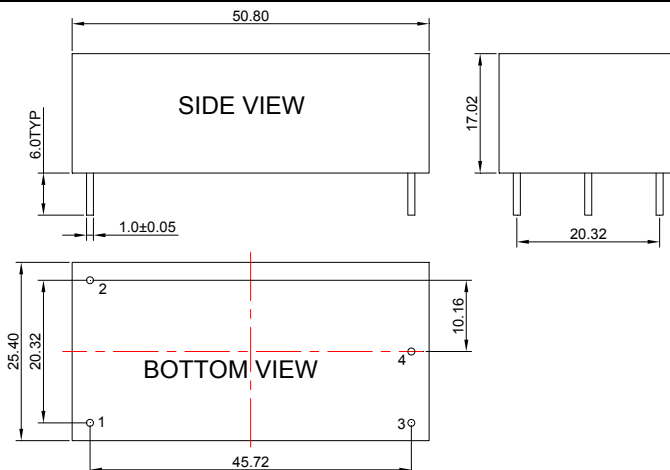
Temperature Derating Graph



Circuit Schematic



Markings and dimensions



PIN	Model
1	ACN
2	ACL
3	+Vo
4	-Vo

Unit: mm Unless otherwise specified, all tolerances are ± 0.50