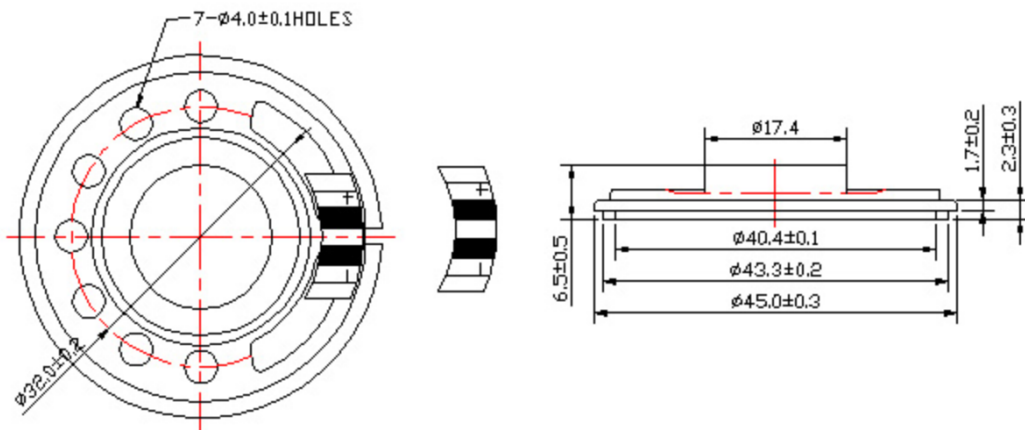




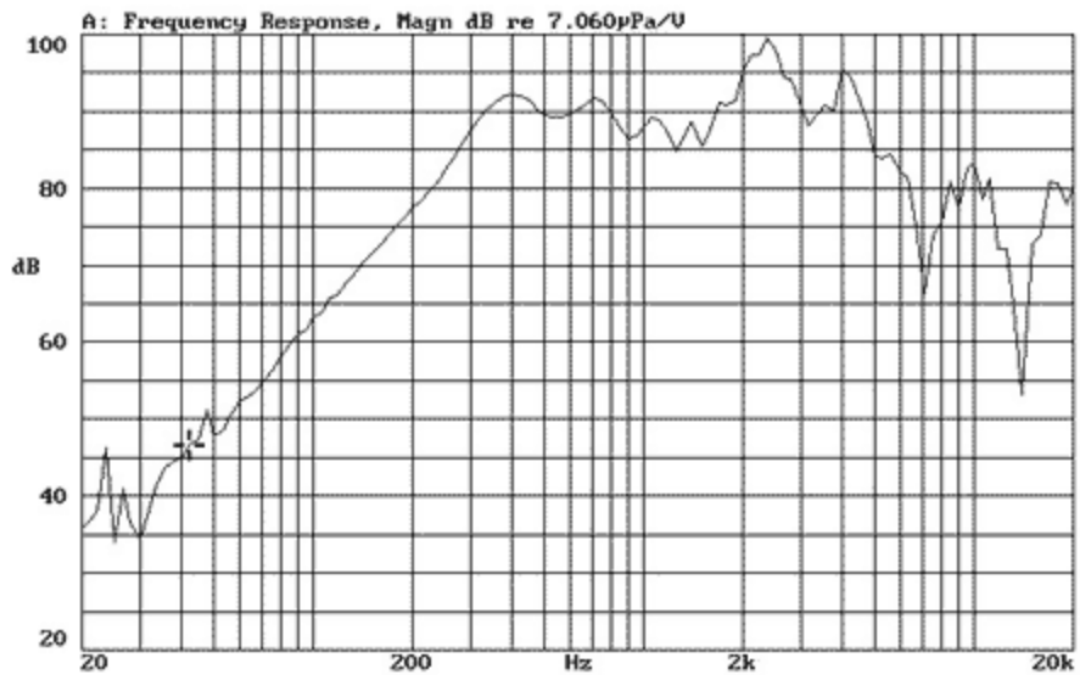
## Speaker, mylar

### FBF45-3T

#### Description



X:42.500Hz \*Y:46.75dB\* ZA:Live Curve SSR Fund.



MODEL	FBF45-3T
DIMENSION	45mm x 6.5mm
VOICE COIL IMP	8 ohm
SOUND PRESSVRE LEVEL S.P.L	88 dB
RESONAT FREQUENEY	400 Hz
EFFECTIVE FREQUENEY	18000 Hz
NOISE POWER	0.5 w
MAGNET SIZE AND ASSEMBLY	12.5mm Alnico