



GIN LIAN GROUP

P.C.B SUPPORT(HOLE IN $\phi 3$)

CBS-F SERIES

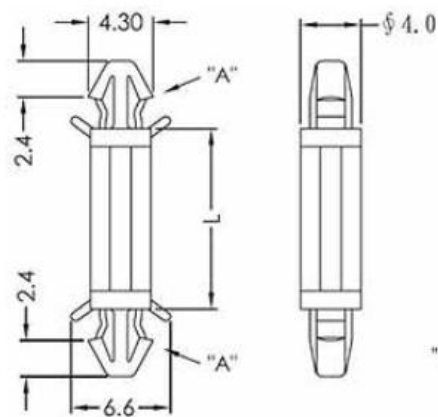


COLOR Natural

MATERIAL N66

Safety Norms UL94V-2

CAD



"A" HOLE IN P. C. B $\phi 3.00$
P. C. B THICKNESS 1.2-1.6

Size Sheet

UNIT:mm

ITEM NO.	L
CBS-4F	4.00
CBS-6F	6.40
CBS-8F	8.00
CBS-10F	10.0
CBS-12F	12.0
CBS-15F	15.1
CBS-18F	18.3