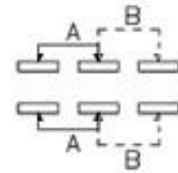
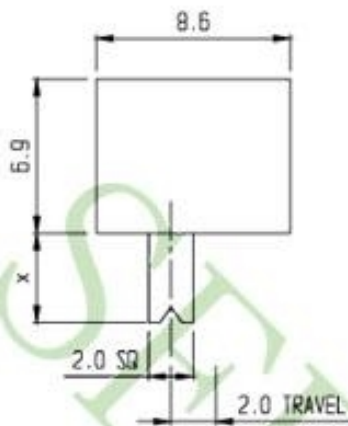
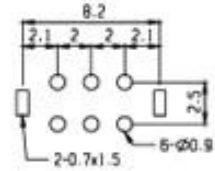




Non-shorting
shorting

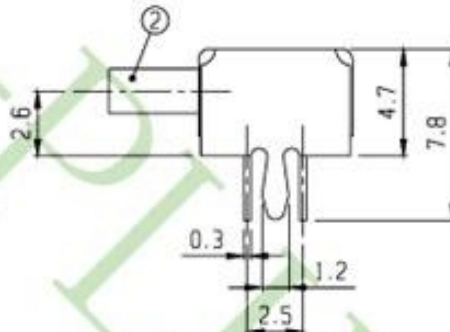
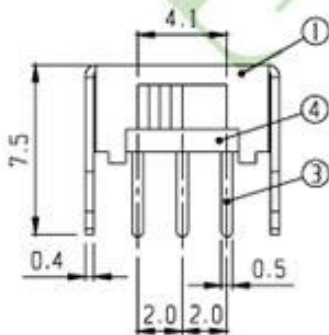


SCHEMATIC



PCB LAYOUT

RoHS
Compliance



5	CONTACT	P B S	2	Ag PLATED	6	SPRING PLATE	P B S	1	
3	TERMINAL	BRASS	6	Ag PLATED	4	TERMINAL BASE	PHENOL RESIN	1	
1	FRAME	S P C C	1	Ni PLATED	2	KNOB	P O M	1	
NO	PART	MATERIAL	QTY	REMARKS	NO	PART	MATERIAL	QTY	REMARKS

ISSUED		SPECIFICATION			TITLE: SIDE KNOB SLIDE SWITCH (2P2T)			
	RATING: DC 30V 0.3A		CONTACT RESISTANCE: 30mΩ max.		MODEL NO: SK-22D03 (VG)			
	INSULATION RESISTANCE: 500MΩ at 500V DC		WITHSTAND VOLTAGE: AC 500V for 1 minute		TOLERANCE	UNIT: MM	DWN.	<i>hno</i>
	OPERATION FORCE: REFER ATTACH SPECIFICATION		SWITCHING LIFE: 10K cycles min.		UP TO 1.0:±0.1	SCALE: 4:1	CHK'D.	<i>hno</i>
					1.0 TO 10.0:±0.2	VERSION: 02	APPD.	<i>hno</i>
					OVER 10.0:±0.3	DRWG NO:		
BY:	SEE-PLUS INDUSTRIAL LTD.							
DATE: 24-AUG-2006								