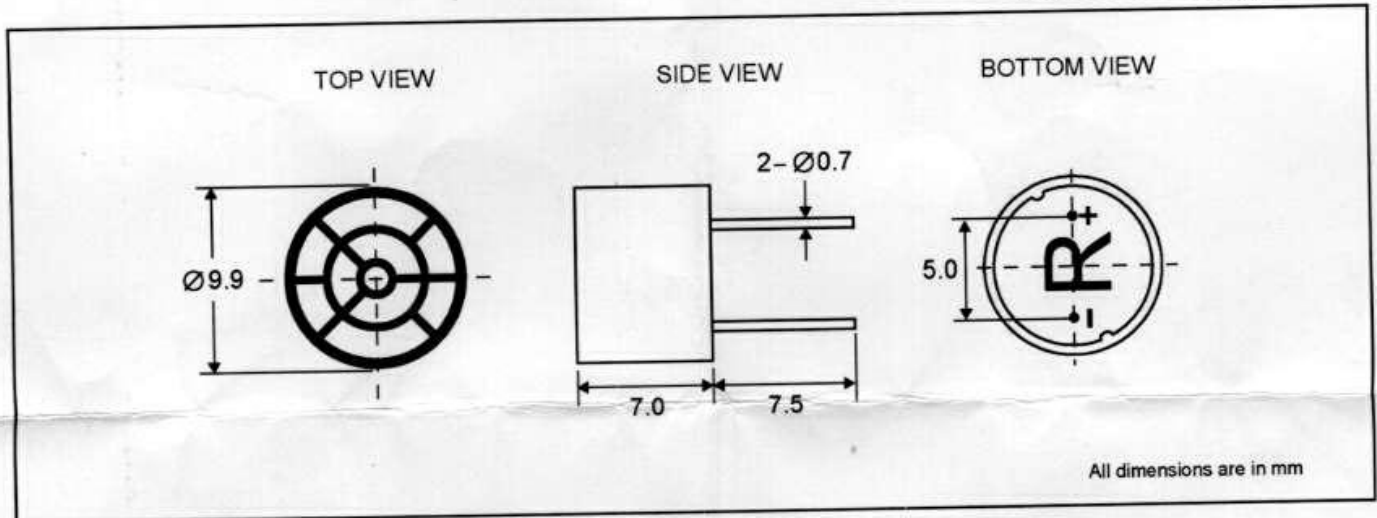


Ultrasonic Sensor

SU10 series

DIMENSIONS

Date : 17 May, 2001



ELECTRICAL SPECIFICATIONS

Model No.		UR1007AP
Construction		Open Structure
Function		Receiver
Center Frequency	[Hz]	40k +/- 1k
Overall Sensitivity	[dBA]	-70 min.
Sound Pressure Level	[at 10Vrms, 30cm]	--
Direction	[degree]	80 max.
Capacitance	[at 1kHz]	1700 pF +/- 30%
Max. Input Voltage	[Vp-p]	--
Min. Detectable Range	[m]	0.2
Max. Detectable Range	[m]	4
Terminal		Pin
Housing Material		ABS
Colour		Black
Operating Temperature	[°C]	-20 ~ +70
Weight	[gm]	2